

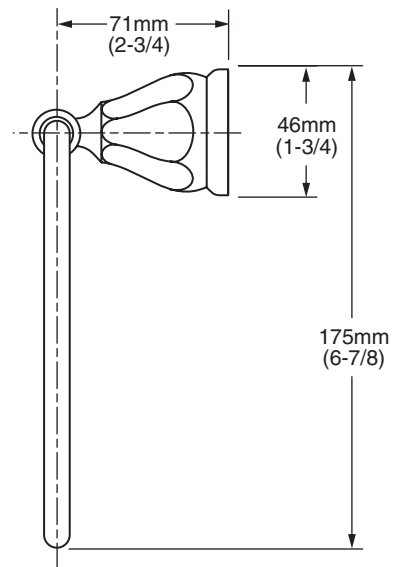
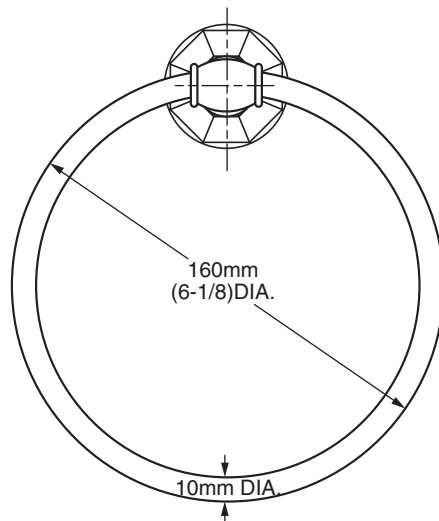


MODEL NUMBER:

■ 6094 Towel Ring

Available Finishes:

Polished Chrome



PRODUCT FEATURES:

Heavy Duty Construction: Highest quality materials for durability & long life.

Concealed Mounting: No exposed set screws.

Materials of Construction: Body and escutcheon - zinc. Towel ring tube - brass.

Bushing on towel ring: Prevents scratching and squeaking.

Easy to Install.

Choice of Finishes: Polished Chrome and Satin Nickel.

SUGGESTED SPECIFICATION:

Towel Ring shall feature heavy - duty construction. Shall feature concealed mounting with no exposed set screws. Towel Ring tube shall be brass. American Standard Model # 6094.