

**TOWN SQUARE® CLASSIC CADDIE**

- Traditional styled storage unit
- Uses Town Square® Collection 24" pedestal sink top available in 4", 8", and CHO faucet drillings
- Can accommodate Town Square® Collection 24" or 27" pedestal sink
- Easy installation combined with hidden storage
- **Design-matched to Town Square® fixtures, faucets and accessories**

**Cognac Classic Caddie with  
Town Square® 24" Pedestal Sink Top:**

- 9374.335** Faucet holes on 4" (102mm) centers
- 9378.335** Faucet holes on 8" (203mm) centers
- 9371.335** Center hole only

**Nominal Dimensions with 24" Top:**

24" x 20-1/4" x 36"  
(610 x 514 x 914mm)

**Nominal Dimensions with 27" Top:**

27" x 21-1/4" x 36"  
(686 x 540 x 914mm)

**Separate Components:**

- 0790.004** 24" Pedestal top 4" (102mm) centers
- 0790.008** 24" Pedestal top 8" (203mm) centers
- 0790.001** 24" Pedestal top Center hole only
  
- 0780.004** 27" Pedestal top 4" (102mm) centers
- 0780.008** 27" Pedestal top 8" (203mm) centers
- 0780.001** 27" Center hole only
  
- 9370.100** Classic Caddie only

**Compliance Certifications -  
Meets or Exceeds the Following Specifications:**

- ASME A112.19.9M for Non-Vitreous Ceramic
- CAN/CSA B45 Series

SEE REVERSE FOR ROUGHING-IN DIMENSIONS  
AND PRODUCT SPECIFICATIONS

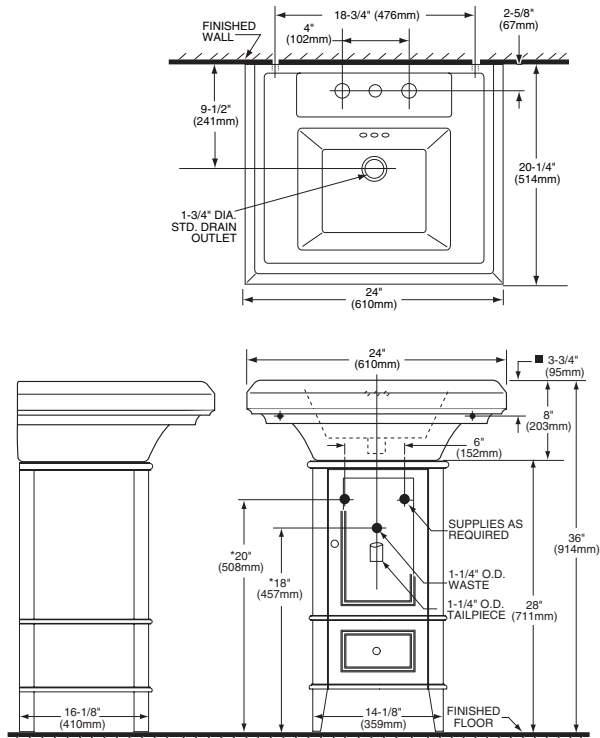


**To Be Specified:**

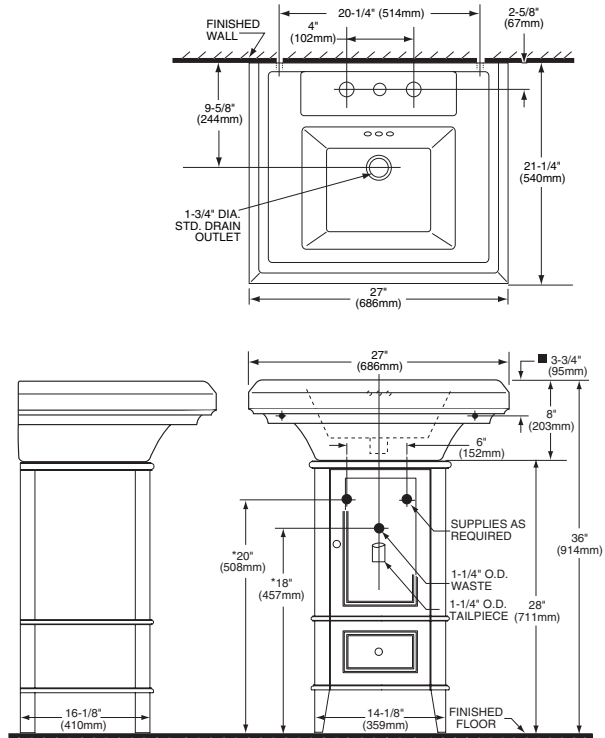
- Color: White, Black, Linen
- Town Square Faucet:
  - Centerset Lavatory Faucet: 2555.201 (shown)
  - Widespread Lavatory Faucet: 2555.801
- Other Lavatory Faucet\*:
- Faucet Finish:
- Supplies:
- 1-1/4" Trap:

\* See faucet section for additional models available

TOWN SQUARE® CLASSIC CADDIE with  
24" PEDESTAL TOP



TOWN SQUARE® CLASSIC CADDIE with  
27" PEDESTAL TOP



**NOTES:**

\* DIMENSIONS SHOWN FOR LOCATION OF SUPPLIES AND "P" TRAP ARE SUGGESTED.

■ FOR REINFORCEMENT ONLY. TAKE ACTUAL DIMENSIONS FROM FIXTURE.

- SLAB/PEDESTAL ANCHORS AND MOUNTING FEATURES TO BE FURNISHED BY OTHERS.

- FITTINGS NOT INCLUDED AND MUST BE ORDERED SEPARATELY.

PROVIDE SUITABLE REINFORCEMENT FOR ALL WALL SUPPORTS.

**IMPORTANT:** Dimensions of fixtures are nominal and may vary within the range of tolerances established by ANSI Standard A112.19.9M. These measurements are subject to change or cancellation. No responsibility is assumed for use of superseded or voided pages.