

TOWN SQUARE® 5' x 42" AIR MASSAGE SYSTEM

2748.328 Air Massage System

- Acrylic with fiberglass reinforcement
- Pre-leveled tub bottom
- Two person design with center drain and dual lumbar ends
- Faucet/accessory deck areas
- 1.0 HP variable speed, heated blower
- Factory installed power cord with plug
- Twenty "illusion" air injectors
- Deck-mounted electronic control with Chrome bezel:
 - Operates variable speed blower
 - Automatic purge cycle after each use
 - Wave function
- Drain waste and overflow in Chrome
- Factory installed and tested air system
- EverClean™ System

2748.328.K2 Air Massage System with Chromatherapy

Same as 2748.328 but also includes:

- Two digitally controlled lights
- Electronic control with color selector and color cycle function

Nominal Dimensions:

59-1/2" x 41-5/8" x 23"
(1511 x 1057 x 584mm)

Compliance Certifications -

Meets or Exceeds the Following Specifications:

- Underwriters Laboratories - Hydromassage Bathtubs UL 1795
- ASME A112.19.7M for Whirlpool Appliances
- ANSI Z124.1 for Plastic Bathtubs
- ASTM E162 for Flammability
- NFPA 258 for Smoke Density

The EverClean™ antimicrobial system incorporates AlphaSan®, a patented antimicrobial agent manufactured right into the air supply hoses, which suppresses the growth of unsightly algae, fungus, mold and mildew.



To Be Specified - Required:

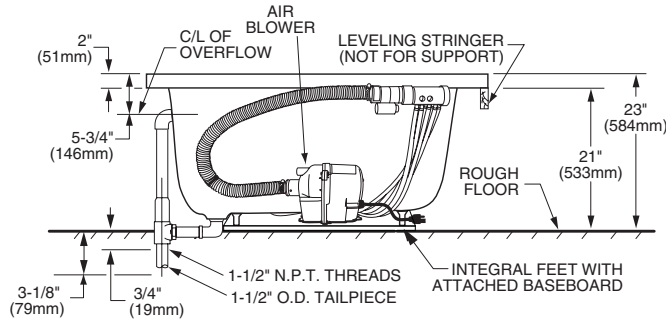
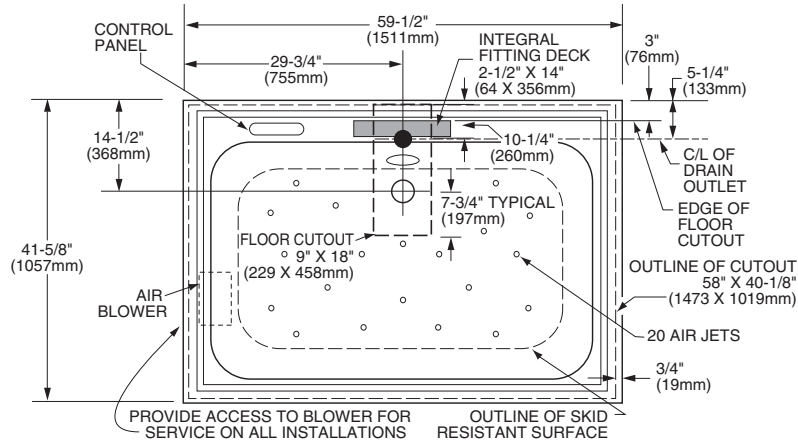
- Color:
- Drain included (chrome)
- Town Square Bath Faucet:
 - D/M Filler with Personal Shower: 2555.901 (specify finish)
 - D/M Filler less Personal Shower: 2555.900 (specify finish)
- Town Square Bath/Shower Faucet:
 - B/S for Wall Mount Spout: 2555.602 (specify finish)
 - B/S for Deck Mount Spout: 2555.652 (specify finish)
- Other Bath Faucet (specify finish):

To Be Specified - Optional:

- Apron: 9460.018 (specify color)
- Tile Bead Kit: 751755-200
- Drain Trim Kit: 1585.200 (specify finish)

For color/finish availability and other faucet choices, please see the Product Selector and Pricing Guide.

SEE REVERSE FOR ROUGHING-IN DIMENSIONS AND PRODUCT SPECIFICATIONS



| GENERAL SPECIFICATIONS FOR 2748 AIR MASSAGE SYSTEM | |
|---|--|
| INSTALLED SIZE | 59-1/2 x 41-5/8 x 23 in. (1511 x 1057 x 584mm) |
| WEIGHT | 110 Lbs. (50 Kg.) |
| WEIGHT w/WATER | 611 Lbs. (278 Kg.) |
| GAL. TO OVERFLOW | 60 Gal. (227 L) |
| BATHING WELL AT SUMP | 34 x 24 in. (864 x 610mm) |
| BATHING WELL AT RIM | 52 x 31 in. (1321 x 1321mm) |
| WATER DEPTH TO OVERFLOW | 12-1/2 in. (318mm) |
| FLOOR LOADING (PROJECTED AREA) | 40 Lbs./Sq.Ft. (194 Kgs./Sq.m) |
| PTS. | 27.8 |
| CUBE (FT ³) | 45.4 |
| ELECTRICAL SPECIFICATIONS | |
| BLOWER | 1.0 HP, 10 AMPS, 120V. |

NOTES:

BATH CAN BE INSTALLED EITHER ABOVE OR BELOW FLOOR LINE AS PIER, ISLAND OR PENINSULA TYPE INSTALLATION. SUMP OF BATH IS SUPPORTED BY INTEGRAL FEET. NO ADDITIONAL SUPPORT REQUIRED. ENCLOSING MATERIALS BY OTHERS.

● IF INSTALLING A DECK-MOUNTED FITTING, BEFORE DRILLING ANY HOLES: CHECK FOR INTERFERENCE WITH CIRCULATING SYSTEM PIPING AND DRAIN OVERFLOW. MOUNTING HOLES DRILLED BY INSTALLER.

OPTIONAL TILING BEAD KIT No. 751755-200 AVAILABLE.

■ REFER TO INSTALLATION INSTRUCTIONS SUPPLIED WITH BATH FOR ADDITIONAL INFORMATION.

FITTINGS NOT INCLUDED AND MUST BE ORDERED SEPARATELY.

PROVIDE SUITABLE REINFORCEMENT FOR ALL SUPPORTS.

IMPORTANT: Dimensions of fixtures are nominal and may vary within the range of tolerances established by ANSI Standard Z124.1 / CSA Certified. These measurements are subject to change or cancellation. No responsibility is assumed for use of superseded or voided leaflet.