

ALCOVE SHOWER BASES

Product Features:

- Acrylic with fiberglass reinforcement
- Single threshold unit
- Textured bottom pattern
- Integral three-sided tiling/water retention flange
- PVC shower drain with stainless steel drain plate

4834.STTS ALCOVE SHOWER BASE

Nominal Dimensions:

48" x 34" x 6"
(1219 x 864 x 146mm)



4834.STTS

3636.STTS ALCOVE SHOWER BASE

Nominal Dimensions:

36" x 36" x 6" (914 x 914 x 146mm)



3636.STTS

CORNER SHOWER BASE

Product Features:

- Acrylic with fiberglass reinforcement
- Corner Neo-angle unit
- Textured bottom pattern
- Integral two-sided tiling/water retention flange
- PVC shower drain with stainless steel drain plate

3838.NEOTS ALCOVE SHOWER BASE

Nominal Dimensions:

38" x 38" x 6" (965 x 965 x 146mm)



3838.NEOTS

Compliance Certifications -

Meets or Exceeds the Following Specifications:

- ANSI Z124.2 for Plastic Showers
- ASTM E162 for Surface Flammability
- NFPA 258 for Smoke Density

To Be Specified - Required:

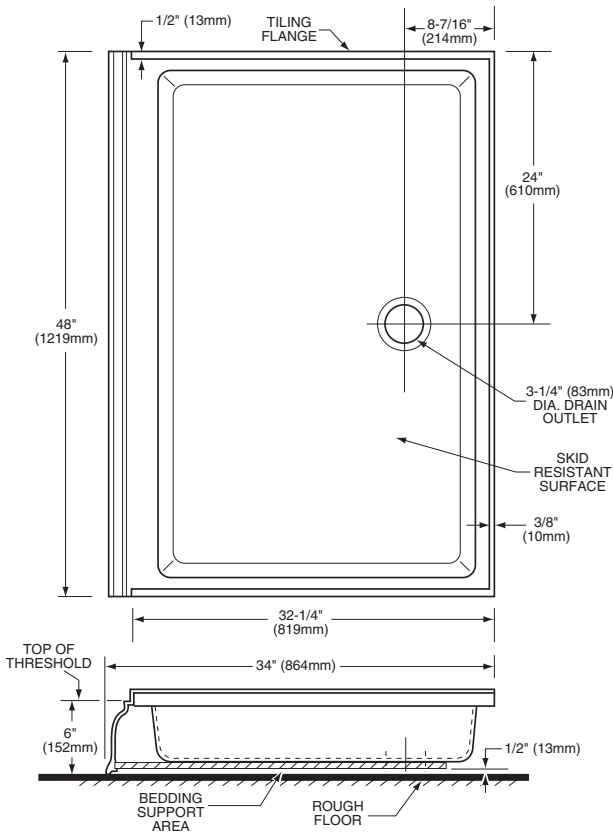
- Color: (specify White, Bone, Linen or Black)
- Faucet: 2555.501 Town Square Shower only
(Specify finish - Chrome, Polished Brass, or Satin)
or
- Other Shower Faucet:

To Be Specified - Optional:

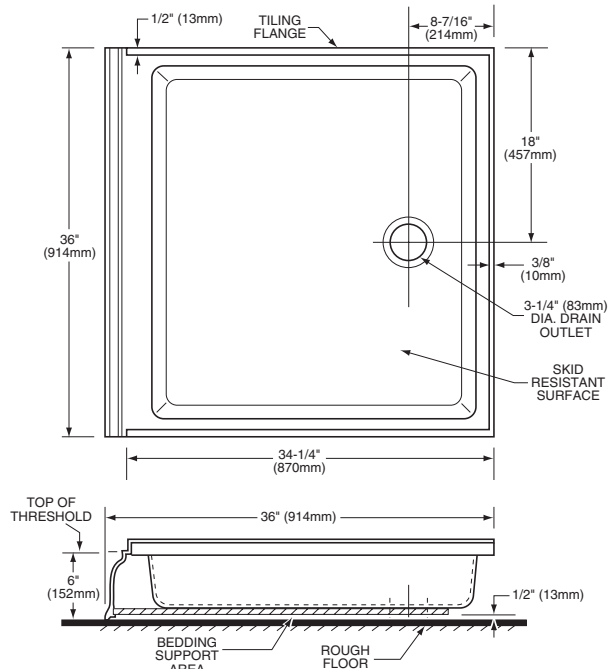
- Metal Drain Plate:
 - 751819-099 in Polished Brass
or
 - 751819-295 in Satin Nickel

SEE REVERSE SIDE FOR ROUGHING-IN DIMENSIONS
AND PRODUCT SPECIFICATIONS

4834.STTS



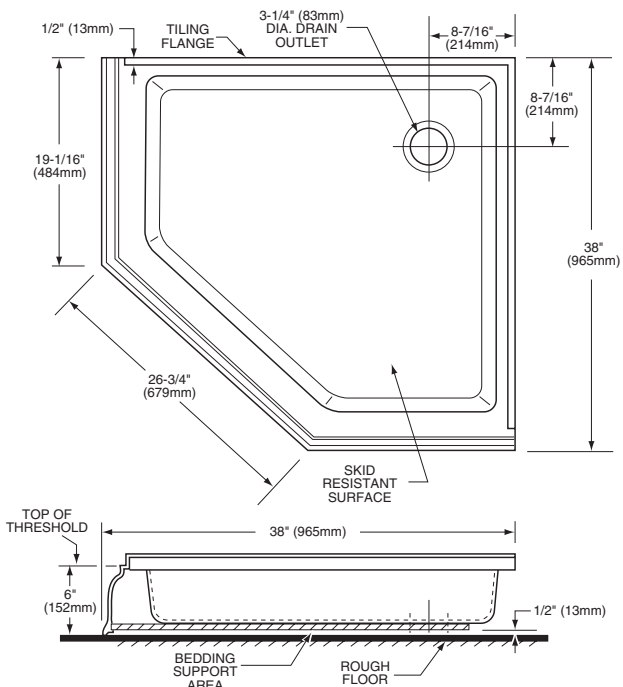
3636.STTS



NOTES:
REFER TO INSTALLATION INSTRUCTIONS SUPPLIED WITH SHOWER BASE FOR ADDITIONAL INFORMATION.

IMPORTANT: Dimensions of fixtures are nominal and may vary within the range of tolerances established by ANSI Standard Z124.1 / CSA. These measurements are subject to change or cancellation. No responsibility is assumed for use of superseded or voided pages.

3838.NEOTS



GENERAL SPECIFICATIONS FOR 4834.STTS SHOWER BASE	
INSTALLED SIZE	1219mm X 864mm X 152mm (48 X 34 X 6 IN.)
WEIGHT	21 Kg. (46 LBS.)
SHOWER WELL AT SUMP	660mm X 1067mm (26 X 42 IN.)
SHOWER WELL AT RIM	711mm X 1149mm (28 X 45-1/4 IN.)
FLOOR LOADING (PROJECTED AREA)	19.6 Kgs/Sq. m. (4.0 LBS./SQ. FT.)

GENERAL SPECIFICATIONS FOR 3636.STTS SHOWER BASE	
INSTALLED SIZE	914mm X 914mm X 152mm (36 X 36 X 6 IN.)
WEIGHT	19 Kg. (42 LBS.)
SHOWER WELL AT SUMP	699mm X 775mm (27-1/2 X 30-1/2 IN.)
SHOWER WELL AT RIM	768mm X 838mm (30-1/4 X 33 IN.)
FLOOR LOADING (PROJECTED AREA)	22 Kgs/Sq. m. (4.7 LBS./SQ. FT.)

GENERAL SPECIFICATIONS FOR 3838.NEOST SHOWER BASE	
INSTALLED SIZE	965mm X 965mm X 152mm (38 X 38 X 6 IN.)
WEIGHT	20 Kg. (44 LBS.)
SHOWER WELL AT SUMP	699mm X 775mm (27-1/2 X 30-1/2 IN.)
SHOWER WELL AT RIM	768mm X 838mm (30-1/4 X 33 IN.)
FLOOR LOADING (PROJECTED AREA)	23 Kgs/Sq. m. (4.9 LBS./SQ. FT.)