

**ALCOVE SHOWER BASE**

**Product Features:**

- Acrylic with fiberglass reinforcement
- Single threshold unit
- Textured bottom pattern
- Integral self-leveling base
- Integral three-sided, double tiling edge with water retention flange
- Molded-in flood guard
- PVC shower drain with stainless steel drain plate

**6034.ST ALCOVE SHOWER BASE**

**Nominal Dimensions:**

1527 x 867 x 168mm  
(60-1/8" x 34-1/8" x 6-5/8")

**4834.ST ALCOVE SHOWER BASE**

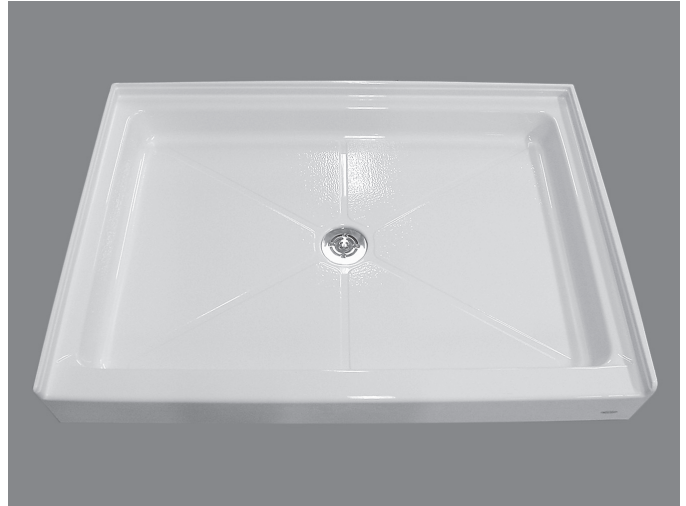
**Nominal Dimensions:**

1222 x 870 x 168mm  
(48-1/8" x 34-1/4" x 6-5/8")

**Compliance Certifications -**

**Meets or Exceeds the Following Specifications:**

- ANSI Z124.2 for Plastic Shower
- ASTM E162 for Surface Flammability
- NFPA 258 for Smoke Density



SEE REVERSE SIDE FOR ROUGHING-IN DIMENSIONS  
AND PRODUCT SPECIFICATIONS

**To Be Specified - Required:**

- Color: (specify American Standard fixture color)

**To Be Specified - Optional:**

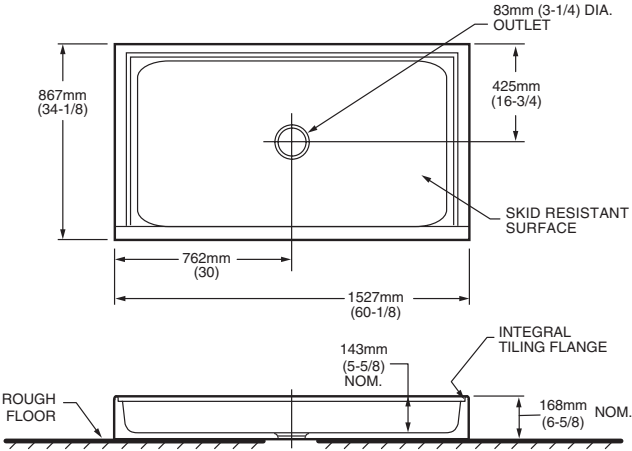
- Metal Drain Plate:
  - 751819-099 in Polished Brass
  - or
  - 751819-295 in Satin Nickel

**NOTES:**

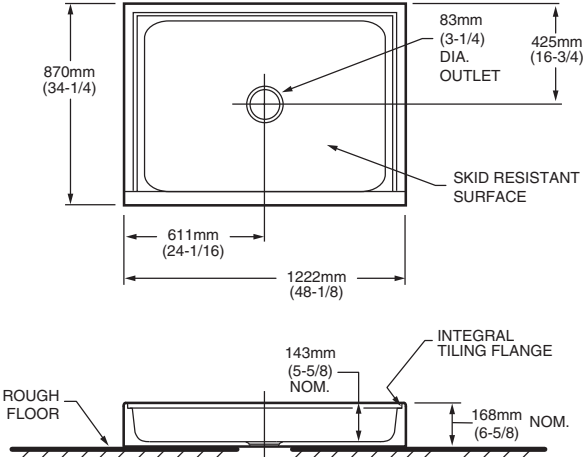
**REFER TO INSTALLATION INSTRUCTIONS SUPPLIED WITH SHOWER BASE FOR ADDITIONAL INFORMATION.**

**IMPORTANT:** Dimensions of fixtures are nominal and may vary within the range of tolerances established by ANSI Standard Z124.1 / CSA. These measurements are subject to change or cancellation. No responsibility is assumed for use of superseded or voided pages.

**6034.ST**



**4834.ST**



**GENERAL SPECIFICATIONS FOR 6034.ST SHOWER BASE**

INSTALLED SIZE	1527 x 867 x 168mm (60-1/8" x 34-1/8" x 6-5/8")
WEIGHT	25 Kg. (55 LBS.)
WEIGHT w/WATER	137 Kg. (301 LBS.)
SHOWER WELL AT SUMP	1295mm X 635mm (51 X 25 IN.)
SHOWER WELL AT RIM	1397mm X 737mm (55 X 29 IN.)
FLOOR LOADING (PROJECTED AREA)	103 Kgs/Sq. m. (21 LBS./SQ. FT.)

**GENERAL SPECIFICATIONS FOR 4834.ST SHOWER BASE**

INSTALLED SIZE	1222 x 870 x 168mm (48-1/8" x 34-1/4" x 6-5/8")
WEIGHT	28 Kg. (62 LBS.)
WEIGHT w/WATER	103 Kg. (226 LBS.)
SHOWER WELL AT SUMP	1029mm X 686mm (40-1/2 X 27 IN.)
SHOWER WELL AT RIM	1080mm X 724mm (42-1/2 X 28-1/2 IN.)
FLOOR LOADING (PROJECTED AREA)	97 Kgs/Sq. m. (20 LBS./SQ. FT.)