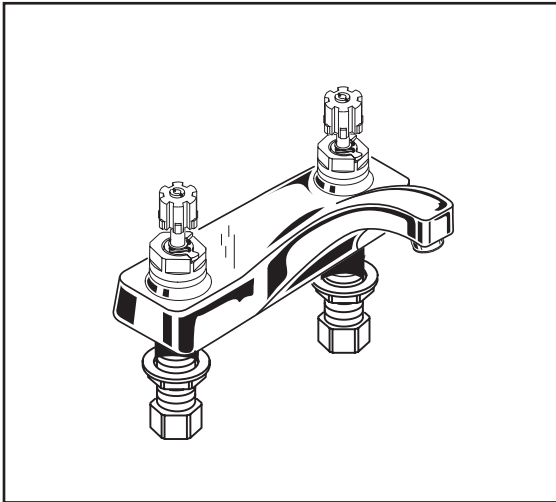


*American Standard*

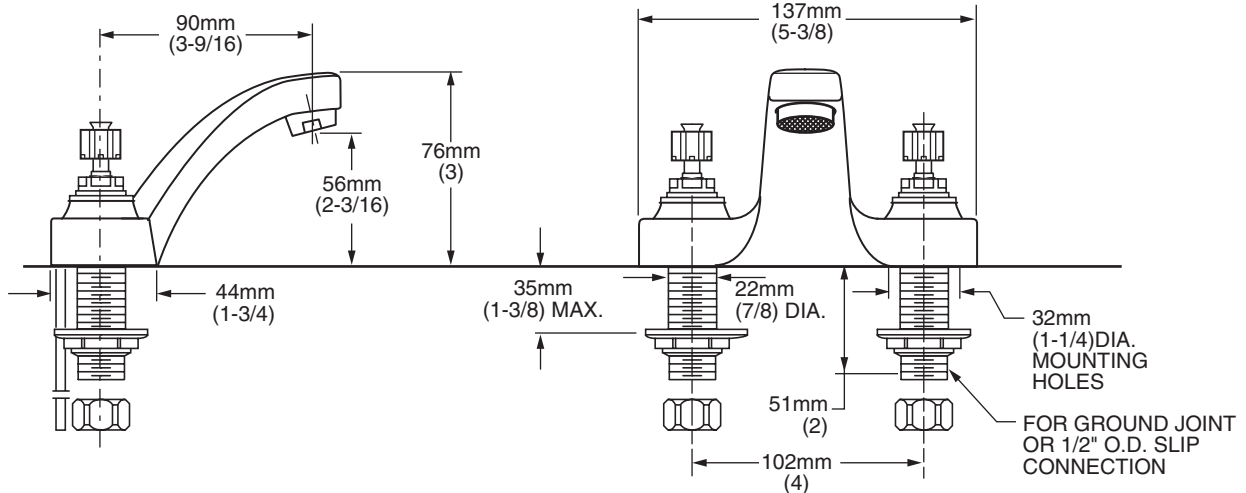
## HERITAGE TWO-HANDLE CENTERSET LAVATORY FAUCET WITH CONVENTIONAL SPOUT & FACTORY INSTALLED HANDLES



Shown without handles.  
Faucet comes complete with factory installed handles.

### MODEL NUMBER:

- 5400.102H Centerset Lavatory Faucet**  
Brass Crown Handles. Less drain.
- 5400.142H Centerset Lavatory Faucet**  
Metal Lever Handles. Less drain.
- 5400.172H Centerset Lavatory Faucet**  
Brass Wrist Blade Handles. Less drain.



### GENERAL DESCRIPTION:

Durable cast brass construction. Amarilis 1/4 turn washerless ceramic disc valve cartridges - reversible for use with either lever or round handles. One-half inch male inlet shanks with brass coupling nuts and shank nuts. 2.2 gpm/8.3L/min. maximum flow rate.

### PRODUCT FEATURES:

**Solid Brass Construction:** Durable - Excellent in high use applications. Ideal for prolonged contact with water.

**Ceramic Disc Valve Cartridges:** Assures a lifetime of drip-free performance.

**Low Lead:** Meets NSF Standard 61/Section 9 & Prop 65 lead requirements.

**Factory Installed Handles:** Simplifies installation.

### SUGGESTED SPECIFICATION:

4" centerset lavatory faucet shall be cast brass construction with all brass shank nuts and coupling nuts. Shall also feature 1/4 turn washerless ceramic disc valve cartridges that are reversible for use with round or lever handles. Fitting shall be American Standard Model # 5400.\_\_\_\_.002.

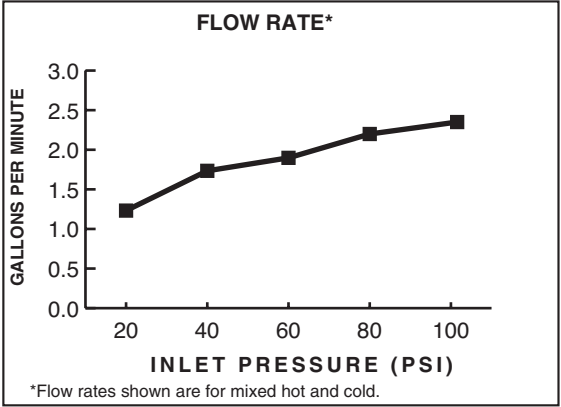





**HERITAGE**  
**TWO-HANDLE CENTERSET LAVATORY FAUCET**  
 WITH CONVENTIONAL SPOUT & FACTORY INSTALLED HANDLES

**CODES AND STANDARDS**


These products meet or exceed the following codes and standards:

- ASME A112.18.1
- CSA B 125
- NSF 61/Section 9



	Product Number	Description	Finish
			Polished Chrome 002
	5400.102H	Centerset lavatory faucet. Brass Crown Handles. Less drain.	
	5400.142H	Centerset lavatory faucet. Metal Lever Handles. Less drain.	
	5400.172H	Centerset lavatory faucet. Brass Wrist Blade Handles. Less drain.	



 Meets the American Disabilities Act Guidelines and **ANSI A117.1** Requirements for the physically challenged.