



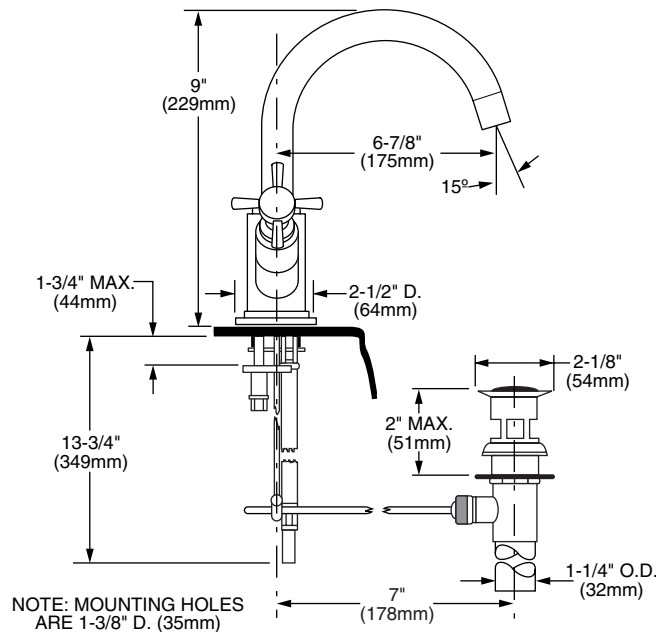
Features:

- Cast brass spout and body
- 6-7/8" spout
- Includes 1-1/4" drain assembly

Maximum Flow Rate: 2.2 GPM (8.3L/min)

	Handle Type	Product Number
Single Hole Monoblock Faucet	Cross	826/101

Available Finishes:	Finish Code
Polished Chrome	100
Brushed Nickel	144
Platinum Nickel	150
UltraSteel (PVD)	355



IMPORTANT: These measurements are subject to change or cancellation. No responsibility is assumed for use of superseded or voided pages.

CODES & STANDARDS

These products meet and exceed the following codes and standards:

ASME A112.18.1

CSA B125

NSF 61/Section 9

