



# OPTIMA<sup>®</sup> plus BPW-8000

BPW-8000 and BPW-8000-1.6 Models

## Slimline<sup>®</sup> Regal<sup>®</sup> Model Battery Powered Bedpan Washer

### ► Description

Battery Powered Sensor Operated Slimline<sup>®</sup> Bedpan Washer Regal<sup>®</sup> Water Closet Flushometer for floor mounted or wall hung top spud bowls.

### ► Flush Cycle

- Regal<sup>®</sup> Model BPW-8000 Water Saver (3.5 gpf/13.2 Lpf)
- Regal<sup>®</sup> Model BPW-8000-1.6 Low Consumption (1.6 gpf/6.0 Lpf)

### ► Specifications

Quiet, Exposed, Diaphragm Type, Chrome Plated Optima Plus<sup>®</sup> Closet Flushometer with the following features:

- Stop Seat and Vacuum Breaker to be molded from PERMEX<sup>™</sup> rubber compound for Chloramine resistance
- Battery Powered Infrared Sensor with EBV-46-A Beam Deflector
- ADA Compliant, Automatic "No Hands" operation
- Override Button Cover Assembly
- 1" I.P.S. Screwdriver Bak-Chek<sup>™</sup> Angle Stop
- Vandal Resistant Stop Cap
- Adjustable Tailpiece
- Spud Coupling and Flange for 1½" Top Spud
- Vacuum Breaker Flush Connection
- Low Consumption flush accuracy controlled by Para-Flo<sup>™</sup> Inside Parts Kit

Bedpan Washer Diverter Assembly with the following features:

- Solid One-piece Body Construction
- Solid Brass Spray Arm
- Counter Balanced Pivot Assembly
- Diverter Valve Wall Support

Valve Body, Cover, Tailpiece and Control Stop shall be in conformance with ASTM Alloy Classification for Semi-Red Brass. Valve shall be in compliance to the applicable sections of ASSE 1037, ANSI/ASME 112.19.6, and Military Specification V-29193.

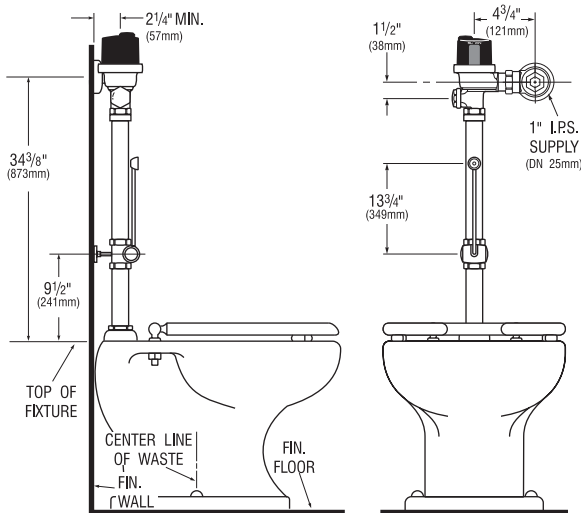
### ► Variations

- BG** Bio-Gard<sup>™</sup> Spray Arm
- MC** Metal Cover
- YB** Sweat Solder Adapter
- YI** Two Wall Bumpers (for open front seat without cover)

### REGAL XL

Flushometer includes Vandal Resistant Stop Cap with Set Screw, and Sweat Solder Adapter with Cover Tube and Cast Set Screw Wall Flange.

See Accessories Section of the Sloan catalog for details on these and other Flushometer variations. See Optima Plus Section of the Sloan catalog for additional information on Optima Plus Flushometers.



Made In The  
**USA**

This space for Architect/Engineer approval

The information contained in this document is subject to change without notice.

**SLOAN**

Made in the U.S.A.

SLOAN VALVE COMPANY • 10500 SEYMOUR AVE. • FRANKLIN PARK, IL 60131  
PHONE: 1-800-982-5839 • FAX: 1-800-447-8329 • <http://www.sloanvalve.com>