

Naval® Model Flushometer

195-1.0



► Description

Concealed Urinal Flushometer for 3/4" back spud urinals. Especially suited for harsh water conditions.

► Flush Cycle

□ Model 195-1.0 (factory set at 1.0 gpf/3.8 Lpf)

Valve Adjustment Range: 0.5 gpf/1.7 Lpf to 3.0 gpf/11.4 Lpf

► Specifications

Quiet, Concealed, Adjustable Piston Type, Rough Brass Urinal Flushometer with the following features:

- ADA Compliant Metal Oscillating Non-Hold-Open Handle
- Self-cleaning Xpelor® Bypass
- 3/4" I.P.S. Wheel Handle Bak-Chek™ Angle Stop
- Adjustable Tailpiece
- Vacuum Breaker Flush Connection
- Elbow Flush Connection and Spud Coupling for 3/4" Concealed Back Spud
- Exposed parts Chrome Plated
- Ultra High Copper, Low Zinc Brass Castings for Dezincification and Salt Water Resistance
- Handle Packing, Stop Seat and Vacuum Breaker to be Molded from PERMEX™ Rubber Compound for Chloramine Resistance

Valve Body, Cover, Tailpiece and Control Stop shall be in conformance with ASTM Alloy Classification for Red Brass. Valve shall be in compliance to the applicable sections of ASSE 1037, ANSI/ASME 112.19.6, and Military Specification V-29193.

► L Dimension

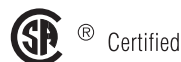
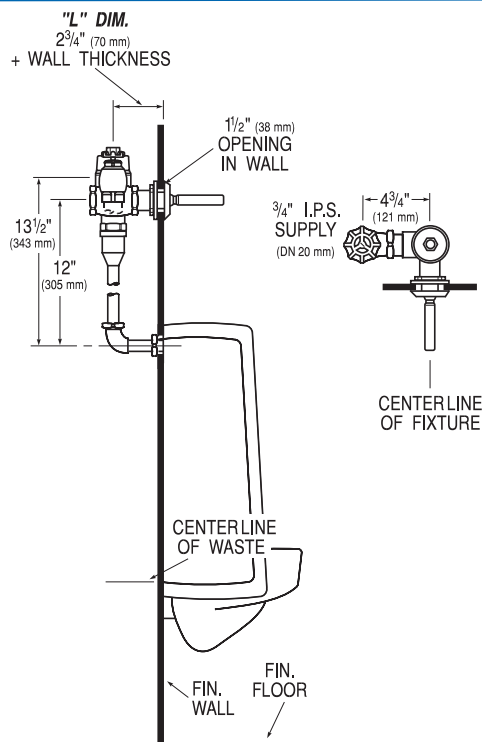
Specify the "L" Dimension for the proper length of the Handle Assembly and Flush Connection. The "L" Dimension is equal to the Wall Thickness (to the nearest whole inch) plus 2 3/4" (70 mm).

► Variations

- **GJ** Ground Joint Stop and Tailpiece
- **WB** For installation with Sloan Easy Access® Wall Box
- **XYV** Less Vacuum Breaker
- **YB** Sweat Solder Adapter

Ground Joint Stop (GJ) recommended for salt water applications. Vacuum Breaker usually not required when used with non-potable water (specify XYV Variation).

See Accessories Section of the Sloan catalog for details on these and other Flushometer variations.



This space for Architect/Engineer approval

The information contained in this document is subject to change without notice.

SLOAN®

Made in the U.S.A.

SLOAN VALVE COMPANY • 10500 SEYMOUR AVE. • FRANKLIN PARK, IL. 60131
Ph: 1-800-9-VALVE-9 or 1-847-671-4300 • Fax: 1-800-447-8329 or 1-847-671-4380
<http://www.sloanvalve.com>