



Regal® Model 188 XD Flushometer

188 XD
188-1.0 XD
188-0.5 XD

► **Description**

Exposed Urinal Flushometer with Adjustable Ground Joint Tailpiece, for 3/4" top spud urinals.

► **Flush Cycle**

- Model 188 XD Water Saver (1.5 gpf/5.7 Lpf)
- Model 188-1.0 XD Low Consumption (1.0 gpf/3.8 Lpf)
- Model 188-0.5 XD (0.5 gpf/1.9 Lpf)

► **Specifications**

The Flushometer replaces existing valves that incorporate Ground Joint Tailpiece connections without having to replace the supply Control Stop.

Quiet, Exposed, Diaphragm Type, Chrome Plated Urinal Flushometer with the following features:

- ADA Compliant Metal Oscillating Non-Hold-Open Handle
- Adjustable Ground Joint Tailpiece (supply stop not included)
- Vacuum Breaker Flush Connection
- Spud Coupling and Flange for 3/4" Top Spud
- High Copper, Low Zinc Brass Castings for Dezincification Resistance
- Non-Hold-Open Handle and No External Volume Adjustment to Ensure Water Conservation
- Low Consumption flush accuracy controlled by Para-Flo™ Technology
- Handle Packing, Stop Seat and Vacuum Breaker to be Molded from PERMEX™ Rubber Compound for Chloramine Resistance

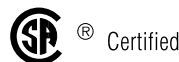
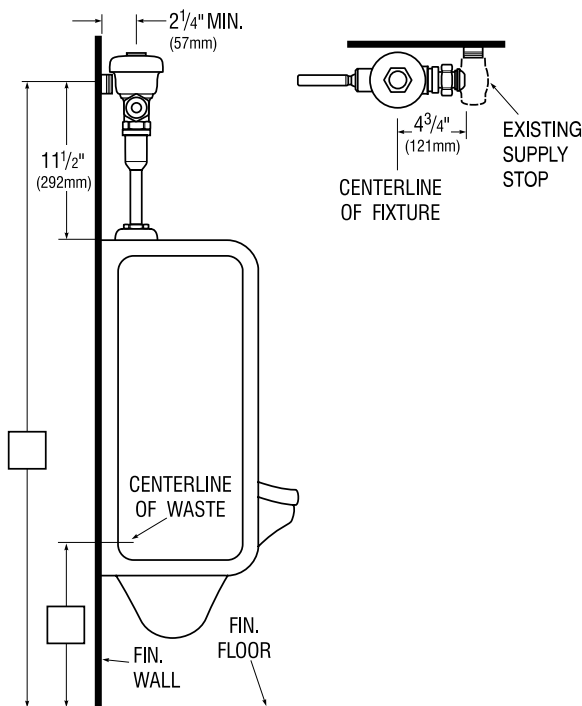
Valve Body, Cover and Tailpiece shall be in conformance with ASTM Alloy Classification for Semi-Red Brass. Valve shall be in compliance to the applicable sections of ASSE 1037, ANSI/ASME 112.19.6, and Military Specification V-29193.

► **Variations**

- U** 1 1/4" Flush Connection and Spud Coupling

Retrofit Installations may require specialized Valve Rough-ins. Consult Sloan Valve Company Installation Engineering Department for assistance.

See Accessories Section of the Sloan catalog for details on these and other Flushometer variations.



This space for Architect/Engineer approval

The information contained in this document is subject to change without notice.



Made in the U.S.A.

SLOAN VALVE COMPANY • 10500 SEYMOUR AVE. • FRANKLIN PARK, IL. 60131
Ph: 1-800-9-VALVE-9 or 1-847-671-4300 • Fax: 1-800-447-8329 or 1-847-671-4380
<http://www.sloanvalve.com>