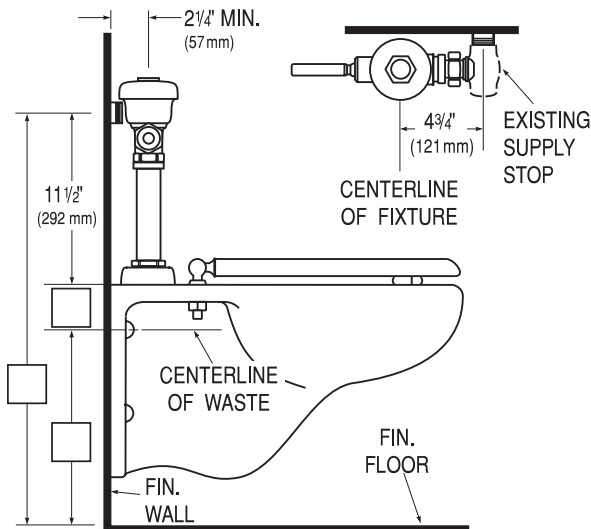
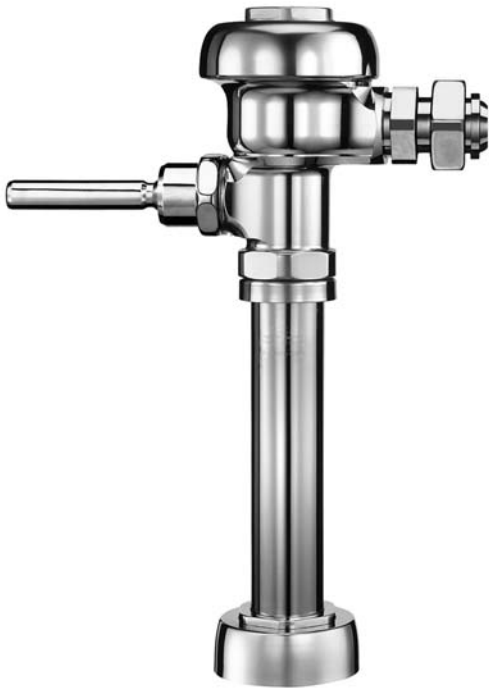


Sloan® Model Flushometer

112 XD



► Description

Exposed Water Closet Flushometer with Adjustable Ground Joint Tailpiece for floor mounted or wall hung top spud bowls.

► Flush Cycle

- Model 112 XD Water Saver (3.5 gpf/13.2 Lpf)
- Model 112-1.6 XD Low Consumption (1.6 gpf/6.0 Lpf)

► Variations

- DFB** Dual Filtered Fixed Bypass Diaphragm
- U** 1 1/4" Flush Connection and Spud Coupling

► Specifications

The Flushometer replaces existing valves that incorporate Ground Joint Tailpiece connections without having to replace the supply Control Stop.

Quiet, Exposed, Diaphragm Type, Chrome Plated Closet Flushometer with the following features:

- High Chloramine Resistant PERMEX™ Synthetic Rubber Diaphragm with Linear Filtered Bypass and Vortex Cleansing Action™
- ADA Compliant Metal Oscillating Non-Hold-Open Handle with Triple Seal Handle Packing
- Adjustable Ground Joint Tailpiece (supply stop not included)
- Vacuum Breaker with Flush Connection
- Spud Coupling and Spud Flange for 1 1/2" Top Spud
- High Copper, Low Zinc Brass Castings for Dezincification Resistance
- Non-Hold-Open Handle and No External Volume Adjustment to Ensure Water Conservation
- Low Consumption flush accuracy
- Handle Packing, Stop Seat and Vacuum Breaker Molded from PERMEX™ Rubber Compound for Chloramine Resistance

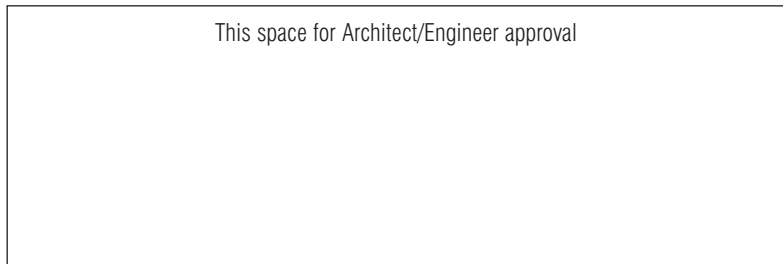
Valve Body, Cover and Tailpiece shall be in conformance with ASTM Alloy Classification for Semi-Red Brass. Valve shall be in compliance to the applicable sections of ASSE 1037, ANSI/ASME A112.19.2 and Military Specification V-29193.

► Contractor-friendly Packaging

Installation time is reduced by packaging rough-in components and finishing components separately. In addition, all main valve components and subassemblies are factory assembled requiring less field assembly of the valve on the job site. Components are packaged as follows:

- Stops and Supply Kits, packaged separately — 6 per package
- Fully assembled Valve, packaged with complete Vacuum Breaker Assembly and Flange Kit — 2 per package

See Accessories Section of the Sloan catalog for details on these and other Flushometer variations.



The information contained in this document is subject to change without notice.

SLOAN®

Made in the U.S.A.

SLOAN VALVE COMPANY • 10500 SEYMOUR AVE. • FRANKLIN PARK, IL. 60131
Ph: 1-800-9-VALVE-9 or 1-847-671-4300 • Fax: 1-800-447-8329 or 1-847-671-4380

www.sloanvalve.com