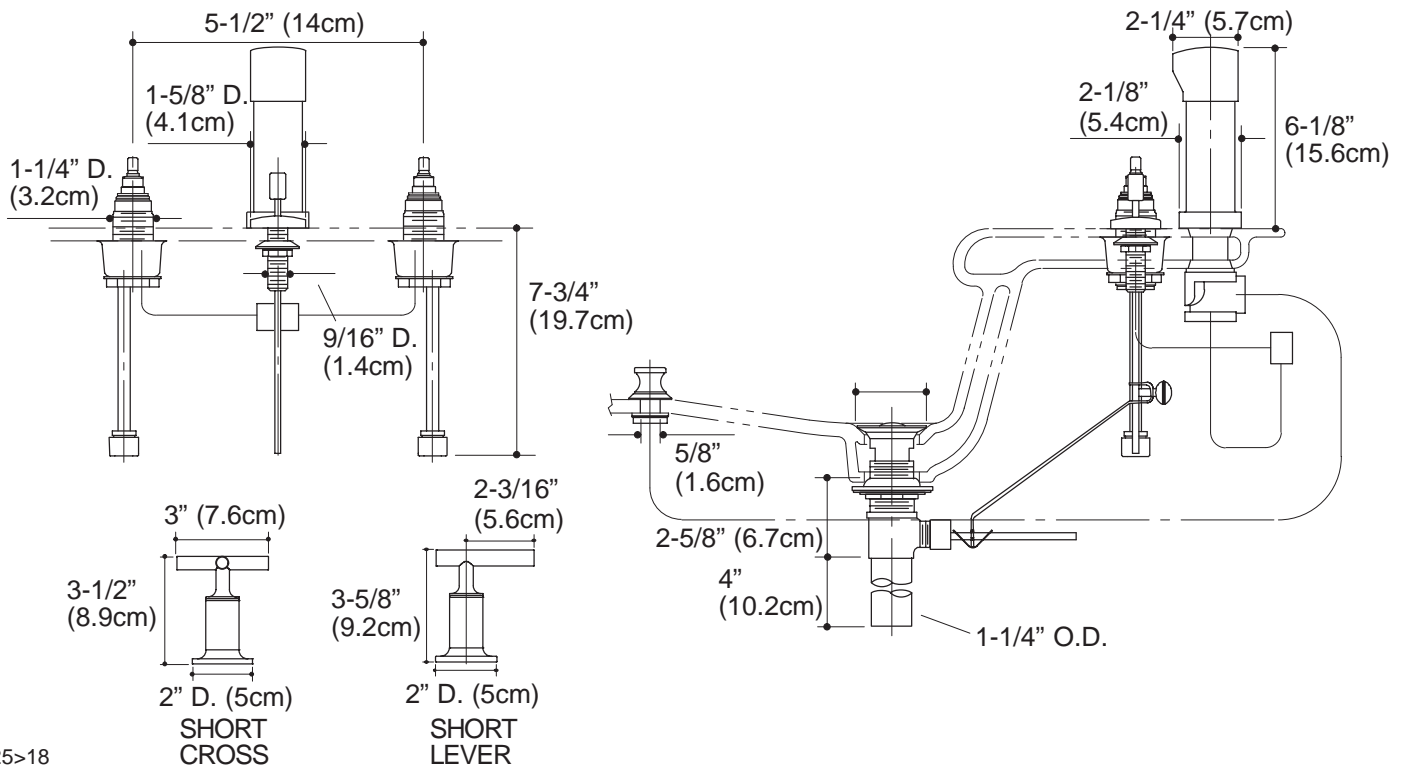


Product Information

Applicable bidet faucet:	
Cross handle	K-14431-3
lever handle	K-14431-4
ADA Lever and cross handles are ADA compliant	



1.25>18

K-14431 Purist™ Bidet Faucet
1014298-1-B

KOHLER®