

**BATH FAUCET TRIM
K-T10339**

ADA

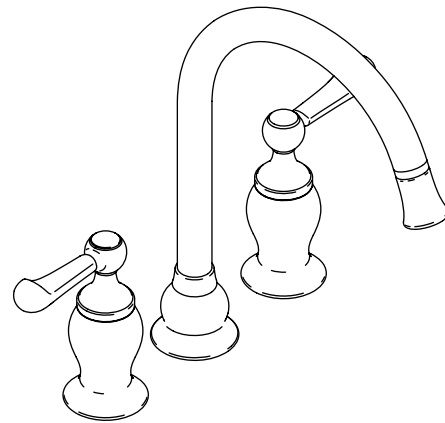
Features

- Brass construction
- Bath- or deck-mount
- Lever handles
- 8-3/4" (22.2 cm) high-arch non-diverter spout with slip-fit connection
- Requires 1/2" ceramic high-flow valve system
- Complements the Lyntier™ suite

Codes/Standards Applicable

Specified model meets or exceeds the following:

- ASME A112.18.1/CSA B125.1
- ADA
- IAMPO/cUPC



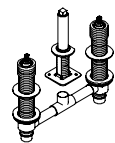
Colors/Finishes

- CP: Polished Chrome
- Other: Refer to Price Book for additional colors/finishes

Accessories:

- NA: None applicable

Specified Model

Model	Description	Colors/Finishes	
K-T10339-4	Bath- or deck-mount bath faucet trim	<input type="checkbox"/> CP	<input type="checkbox"/> Other _____
Required Accessories			
K-300-K	1/2" ceramic high-flow valve system	 <input type="checkbox"/> NA	

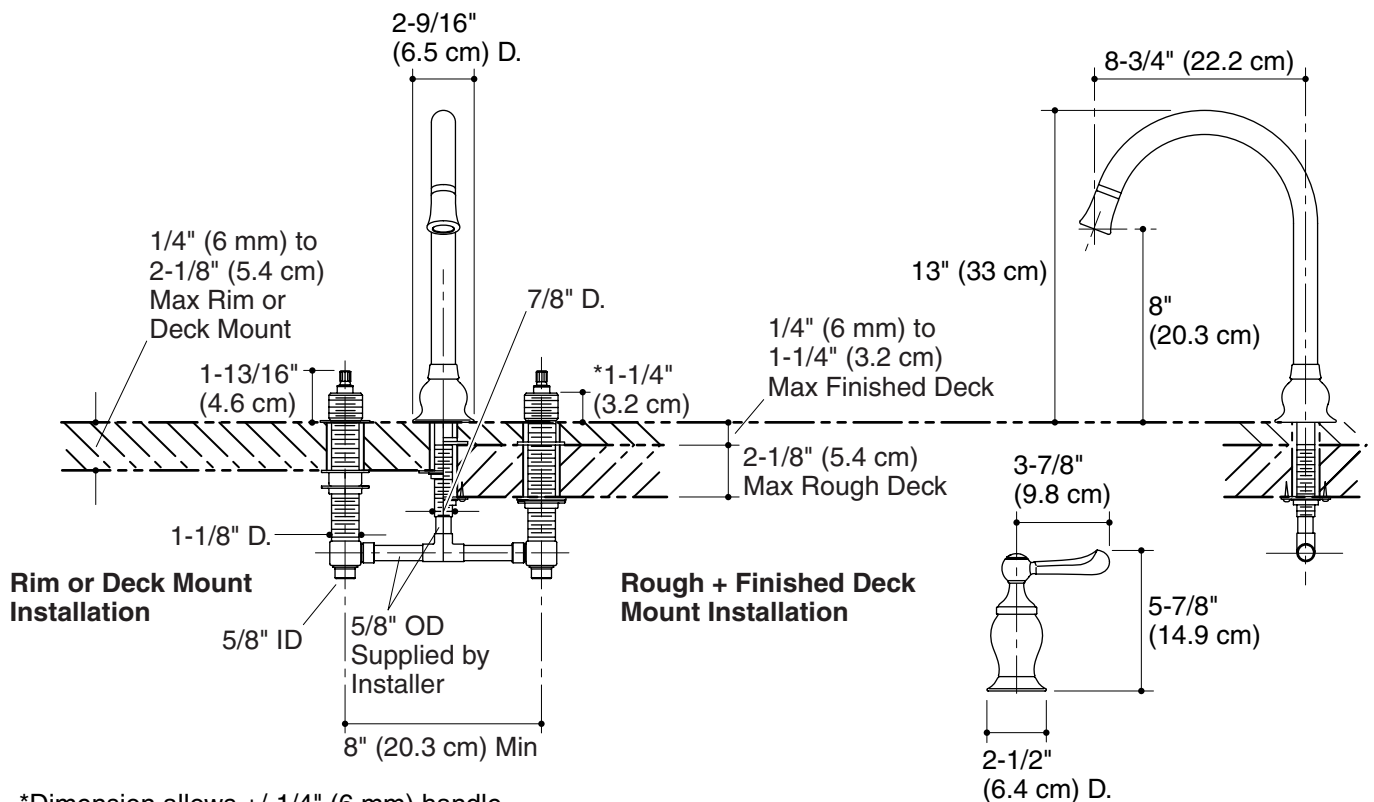
Product Specification

The bath- or deck-mount bath faucet trim shall be of brass construction. Product shall feature 8-3/4" (22.2 cm) high-arch non-diverter spout with slip-fit connection. Product shall have lever handles. Product requires a 1/2" ceramic high-flow valve system. Product shall complement the Lyntier suite. Bath faucet trim shall be Kohler Model K-T10339-4-_____ and valve system shall be Kohler Model K-300-K-NA.

LYNTIER™

Installation Notes

Install this product according to the installation guide.



*Dimension allows +/-1/4" (6 mm) handle adjustment during handle trim installation.

Product Diagram