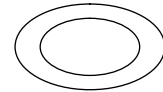
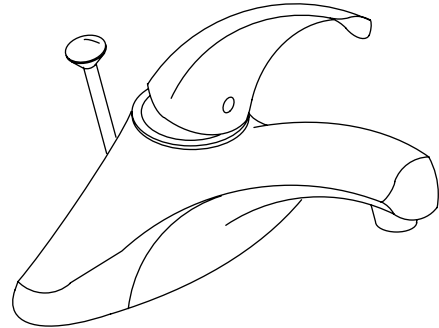


Features

- Metal construction
- 5" (12.7 cm) spout reach
- One-piece, self-contained ceramic disc valve allows both volume and temperature control
- Temperature memory allows faucet to be turned on and off at any temperature setting
- High-temperature limit setting for added safety
- 2.2 gallons (8.3 L) per minute maximum flow rate
- For 4" (10.2 cm) centers
- ADA compliant lever handle
- Lower flow aerator options are available (refer to the Kohler Price Book)



Codes/Standards Applicable

Specified model meets or exceeds the following:

- IAPMO/UPC
- NSF 61
- Energy Policy Act of 1992
- ASME A112.18.1/CSA B125.1
- ADA

Colors/Finishes

- CP: Polished Chrome
- PB: Vibrant® Polished Brass
- G: Brushed Chrome
- Other: Refer to Price Book for additional colors/finishes

Specified Model

Model	Description	Colors/Finishes			
		<input type="checkbox"/> CP	<input type="checkbox"/> PB	<input type="checkbox"/> G	<input type="checkbox"/> Other ____
K-15182-F	Lavatory faucet with flexible supplies	<input type="checkbox"/> CP	<input type="checkbox"/> PB		<input type="checkbox"/> Other ____
K-15182-P	Lavatory faucet with ground joint connections	<input type="checkbox"/> CP		<input type="checkbox"/> G	
K-15182-XF	Lavatory faucet with flexible supplies and red/blue indexing	<input type="checkbox"/> CP			
K-15182-XP	Lavatory faucet with ground joint connections and red/blue indexing	<input type="checkbox"/> CP			

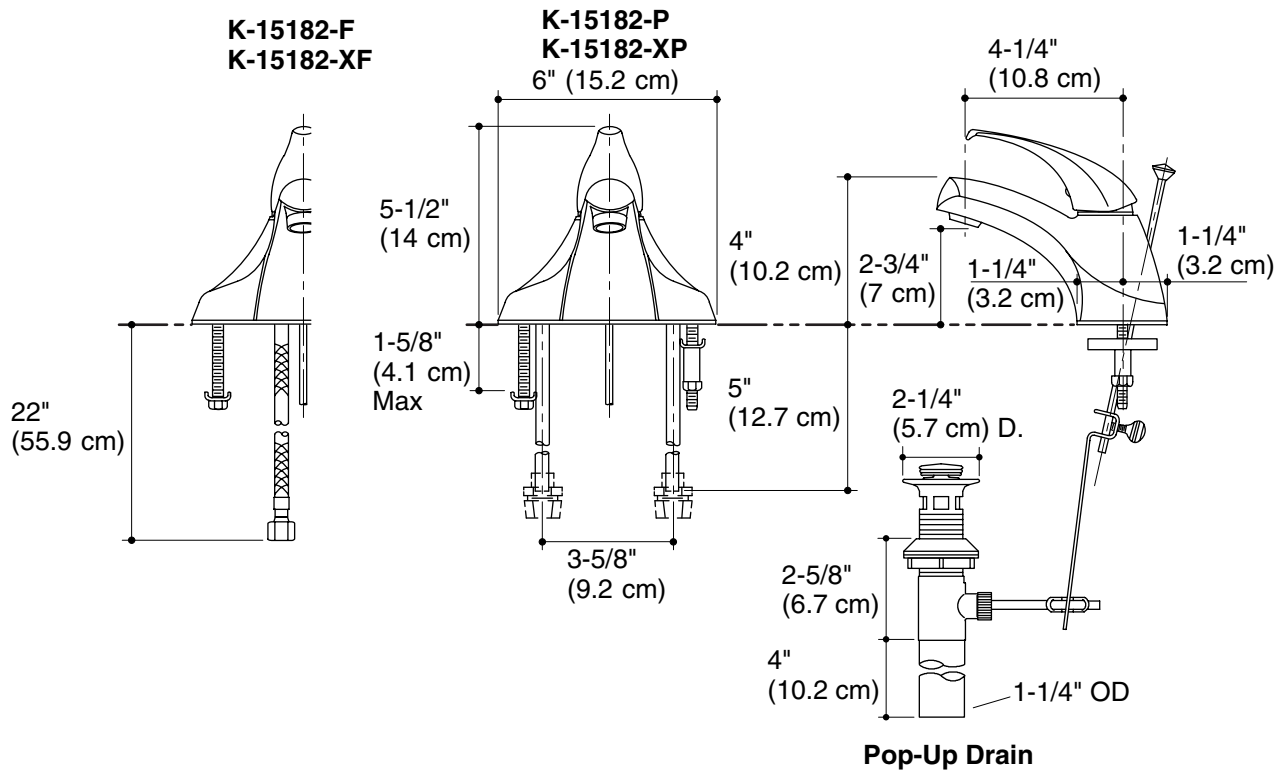
Product Specification

Single-control centerset lavatory faucet shall be of metal construction. Product shall feature a 5" (12.7 cm) spout reach and an ADA compliant lever handle. Product shall feature a 2.2 gallon (8.3 L) per minute maximum flow rate with lower flow aerator options (refer to the Kohler Price Book). Product shall feature a one-piece, self-contained ceramic disc valve which allows both volume and temperature control. Product shall feature temperature memory, allowing the faucet to be turned on and off at any temperature setting. Product shall feature a high-temperature limit setting for added safety. Product shall be for 4" (10.2 cm) centers. Faucet shall be Kohler Model K-15182-____-____.

CORALAIS®

Installation Notes

Install this product according to the installation guide.



Product Diagram