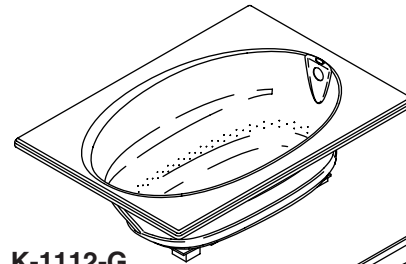


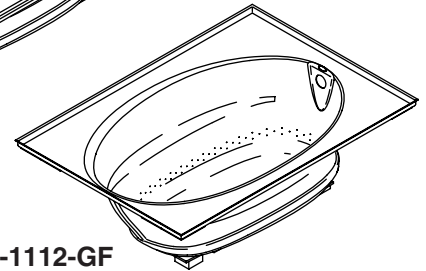
Features

- Acrylic
- Rectangular shape
- Drop-in, 4-side integral flange
- 120 BubbleMassage™ airjets
- 1 hp blower motor with 300 W heater, and electronic back-lit user control
- Blower motor is supplied with a grounding-type plug-in cord
- Molded lumbar supports and armrests
- 60" (152.4 cm) x 42" (106.7 cm) x 21" (53.3 cm)

BATH WITH AIRJETS K-1112-G ALSO K-1112-GF



K-1112-G



K-1112-GF

Codes/Standards Applicable

Specified model meets or exceeds the following:

- ANSI Z124.1.2
- IAPMO/UPC IGC 171
- Underwriters Laboratories (UL)

Colors/Finishes

- 0: White
- Other: Refer to Price Book for additional colors/finishes

Accessories:

- CP: Polished Chrome
- Other: Refer to Price Book for additional colors/finishes

Specified Model

Model	Description	Colors/Finishes	
K-1112-G	Drop-in rim style	<input type="checkbox"/> 0	<input type="checkbox"/> Other _____
K-1112-GF	Drop-in, 4-side integral flange	<input type="checkbox"/> 0	<input type="checkbox"/> Other _____

Recommended Accessories

K-7166-AF	Pop-up drain with tailpiece – above or through-the-floor installation OR	<input type="checkbox"/> CP	<input type="checkbox"/> Other _____
K-11677	Trip lever drain with tailpiece – through-the-floor installation	<input type="checkbox"/> CP	<input type="checkbox"/> Other _____

Product Specification

The acrylic bath with airjets shall be 60" (152.4 cm) in length, 42" (106.7 cm) in width, and 21" (53.3 cm) in height. Product shall be available as drop-in rim style or drop-in, 4-side integral flange. Product shall have an 1 hp blower motor with 300 W heater, and an electronic back-lit user control. Product shall include a blower motor which is supplied with a grounding-type plug-in cord. Bath shall feature 120 BubbleMassage airjets, molded lumbar supports, and molded armrests. Bath shall be rectangular in shape. Bath with airjets shall be Kohler Model K-1112-____-____.

WINDWARD™

Technical Information

Fixture*:		
Bathing well:		
Basin area	bottom	43" (109.2 cm) x 24-5/8" (62.5 cm)
	top	53-1/2" (135.9 cm) x 32-1/8" (81.6 cm)
Weight	110 lbs (50 kg)	
To overflow		
Water depth	15" (38.1 cm)	
Capacity	57 gal (215.9 L)	
* Approximate measurements for comparison only.		

Drop-in cutout dimensions:				
58-1/2" (148.6 cm) x 40-1/2" (102.9 cm)				

Blower motor	Heater	V	Hz	A
1 Hp	300 W	120	60	5
Minimum access panel blower motor:				
20" (50.8 cm) W x 15" (38.1 cm) H			required	

Required Electrical Service

Dedicated circuit required, protected with a Class A Ground-Fault Circuit-Interrupter (GFCI):	
Pump/control	120 V, 5 A, 60 Hz
Blower motor is supplied with a 24" (61 cm) grounding-type plug-in cord.	

Installation Notes

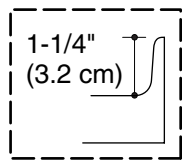
Install this product according to the installation guide.

Floor support under this product must provide for a minimum of 35 lbs/square foot (171 kg/square meter) loading.

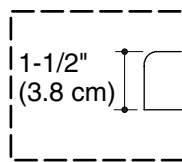
If installing a rim-mount faucet, make sure there is no interference with the drain overflow and circulating system before drilling any holes. Consult local and national codes for minimum air gap requirements if installing a spout on the faucet deck.

No change in measurements if connected with drain illustrated. (K-11677 or K-11677M)

Recommended faucet area

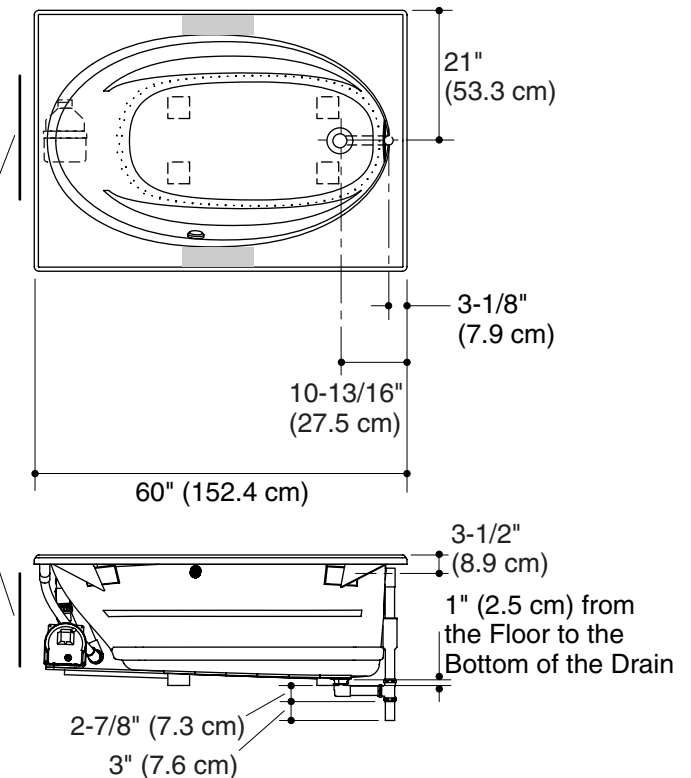
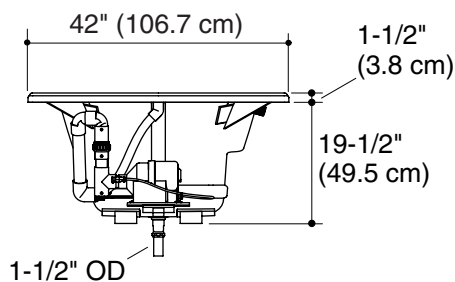


Tile Flange Detail



Drop-In Rim Detail

Blower/Control Access
20" (50.8 cm) W x
15" (38.1 cm) H Min



Product Diagram