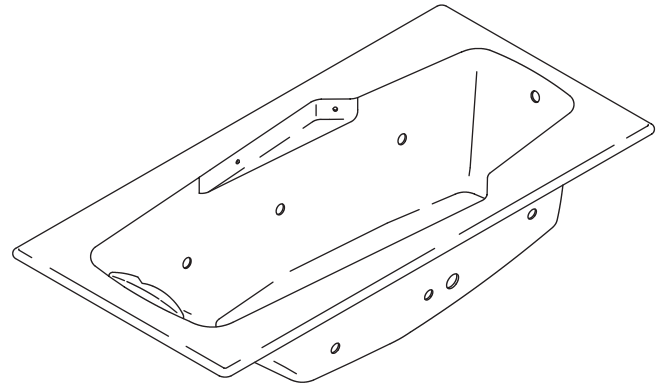


Features

- Cast iron with Safeguard® finish
- 6 Flexjets™
- Less all trim
- Drilled for required grip rails
- N1 models - 2 hp variable speed pump with 1.5 kW heater
- H2 models - 1.5 hp variable speed pump with 1.5 kW heater
- 72" (182.9 cm) x 36" (91.4 cm) x 18-1/4" (46.4 cm)

BATH WHIRLPOOL K-812-H2 ALSO K-812-N1

ADA



Codes/Standards Applicable

Specified model meets or exceeds the following:

- ADA
- IAPMO/UPC
- Underwriter's Laboratories (UL)
- ASME A112.19.1M
- ASME A112.19.7M

Colors/Finishes

- 0: White
- Other: Refer to Price Book for additional colors/finishes

Accessories:

- CP: Polished Chrome
- PB: Polished Brass
- Other: Refer to Price Book for additional colors/finishes

Specified Model

Model	Description	Colors/Finishes		
K-812-H2	Bath whirlpool	<input type="checkbox"/> 0	<input type="checkbox"/> Other_____	
K-812-N1	Bath whirlpool with neckjets and pillow (shown)	<input type="checkbox"/> 0	<input type="checkbox"/> Other_____	
Required Accessories				
K-9696	Jet trim kit	<input type="checkbox"/> CP	<input type="checkbox"/> PB	<input type="checkbox"/> Other_____
K-9616	Grip rails (pair)	<input type="checkbox"/> CP	<input type="checkbox"/> PB	<input type="checkbox"/> Other_____
Recommended Accessory				
K-7161-AF	Drain	<input type="checkbox"/> CP	<input type="checkbox"/> PB	<input type="checkbox"/> Other_____

Product Specification

The bath whirlpool shall be 72" (182.9 cm) in length, 36" (91.4 cm) in width, and 18-1/4" (46.4 cm) in height. Bath whirlpool shall be made of cast iron with Safeguard finish. K-812-N1 bath whirlpool shall have 6 Flexjets, 2 hp variable speed pump, 1.5 kW heater, pulsating neckjets, and backlit user control. K-812-H2 bath whirlpool shall have 6 Flexjets, 1.5 hp variable speed pump, 1.5 kW heater, and backlit user control. Bath whirlpool shall be UL listed. Bath whirlpool shall be less all trim. Bath whirlpool shall be drilled for K-9616 grip rails (required). Bath whirlpool shall be Kohler Model K-812-_____-_____.

CARIBBEAN™

Technical Information

Fixture*:	Basin area	Top area	Weight
Bathing well	47" (119.4 cm) x 24" (61 cm)	67" (170.2 cm) x 29" (73.7 cm)	435 lbs (197.3 kg)
Water depth (to overflow)		Capacity (to overflow)	
12-7/8" (32.7 cm)		52 gal (196.8 L)	
* Approximate measurements for comparison only.			

Product	Pump	Heater	V	A*
Neckjets	2 hp	1.5 kW	240	15
Without neckjets	1.5 hp	1.5 kW	240	11
* Approximate measurements for comparison only.				

Drop-in cut-out	70-1/2" (179.1 cm) x 34-1/2" (87.6 cm)		
Cutout template	K-581 template		
Minimum access panel (required):			
Pump/control	34" (86.4 cm) W x 15" (38.1 cm) H		

Required Electrical Service

Dedicated circuit required, protected with Class A Ground-Fault Circuit-Interrupter (GFCI) or Earth-Leakage Circuit-Breaker (ELCB):

Pump/control	208-240 V, 20 A, 50/60 Hz
--------------	---------------------------

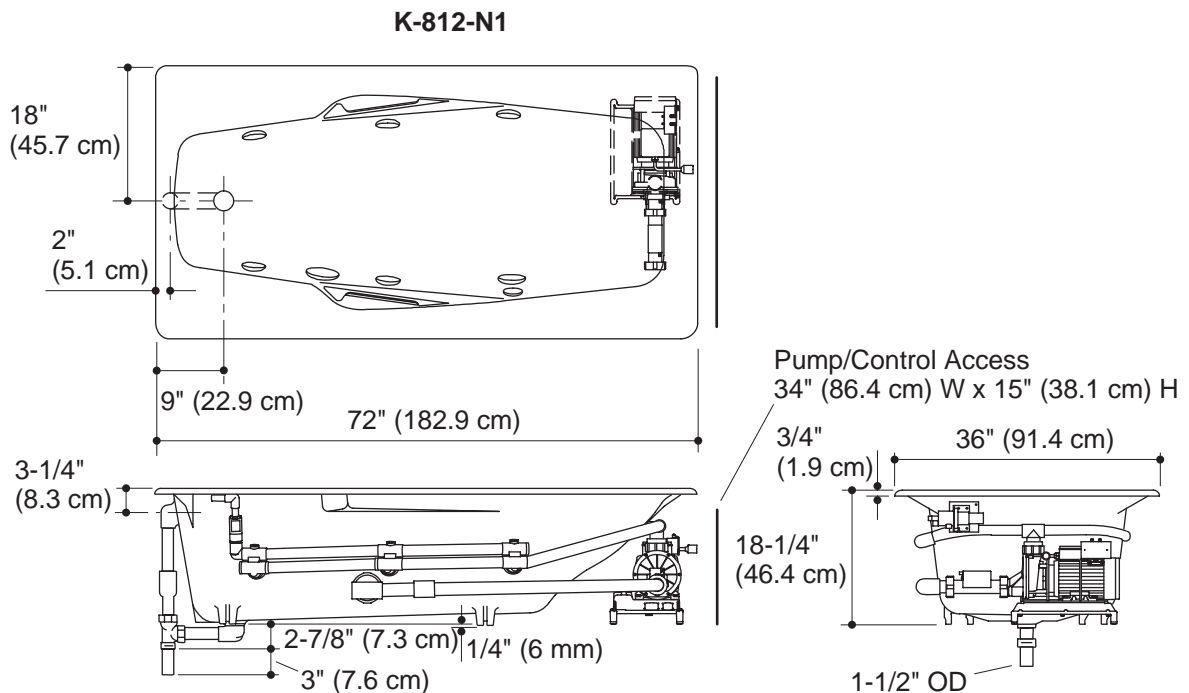
Installation Notes

Install this product according to the installation guide.

Floor support under whirlpool must provide for a minimum of 1500 lbs (680.4 kg) loading.

Cast iron whirlpools are extremely heavy, making some drop-in installations difficult. Splitting the deck/surround is recommended if installing into a deck.

No change in measurements if connected with drain illustrated. (K-7161-AF or K-7161M-AF)



Product Diagram