

Ordering Information

Accessories/hardware:		
Drain	K-7161-AF	recommended

Product Information

Fixture*:	basin area	top area	weight
Bathing well	49" x 30"	62" x 33"	108 lbs.
	water depth	capacity	
To overflow	17"	111 gals.	
* Approximate measurements for comparison only.			

Installation Notes

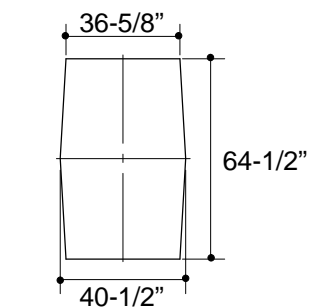
Refer to installation instructions included with fixture before beginning installation.

If installing a rim-mount faucet, make sure there is no interference with drain overflow and circulating system before drilling any holes. Consult local and national codes for minimum air gap requirements if installing a spout on the faucet deck.

Roughing-In Notes

Fixture conforms to ANSI Standard Z124.1. All dimensions are nominal.

No change in measurements if connected with drain illustrated.



CUT-OUT DETAIL

1.25>132

