

### Ordering Information

Applicable product:		
Left outlet, with Softgrip grip handles	K-1197-LA	shown
Right outlet, with Softgrip grip handles	K-1197-RA	not shown
Left outlet, without Softgrip grip handles	K-1193-LA	not shown
Right outlet, without Softgrip grip handles	K-1193-RA	not shown
Accessories/hardware:		
Drain	K-7161-AF	recommended

### Product Information

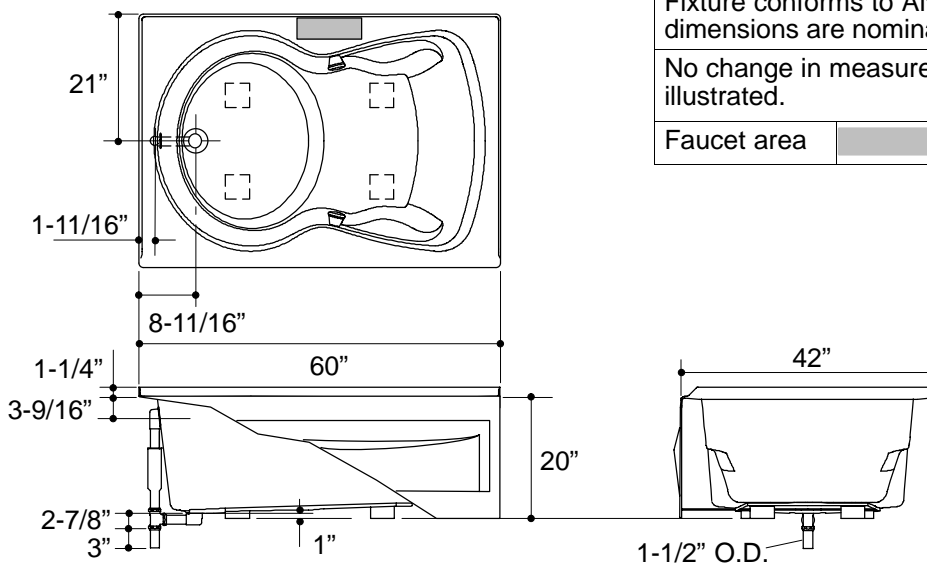
Fixture*:	basin area	top area	weight
Bathing well	42" x 25"	52" x 34"	75 lbs.
	water depth	capacity	
To overflow	14"	63 gal.	
* Approximate measurements for comparison only.			

### Installation Notes

Refer to installation instructions included with fixture before beginning installation.

**NOTICE:** Unless otherwise specified, floor support under bath must provide for a minimum of 80 lbs./square foot loading.

If installing a rim-mount faucet, make sure there is no interference with drain overflow before drilling any holes. Consult local and national codes for minimum air gap requirements if installing a spout on the faucet deck.

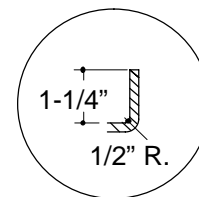


### Roughing-In Notes

Fixture conforms to ANSI Standard Z124.1. All dimensions are nominal.

No change in measurements if connected with drain illustrated.

Faucet area		recommended
-------------	--	-------------



**INTEGRAL  
FLANGE  
DETAIL**

1.25>132