

COMFORT HEIGHT™ TOILET K-3487

ADA

Features

- Vitreous china
- 1.6 gpf (6 lpf) or 1.4 gpf (5.3 lpf)
- 12" (30.5 cm) rough-in
- Combination toilet
- Class Five™ flushing system
- 2-1/8" (5.4 cm) glazed trapway
- EPDM flapper
- Less seat and supply
- Elongated bowl
- 11-3/8" (28.9 cm) x 9-1/4" (23.5 cm) water area
- 30-5/8" (77.8 cm) x 18-1/4" (46.4 cm) x 31-1/2" (80 cm)



Codes/Standards Applicable

Specified model meets or exceeds the following:

- ADA
- ASME A112.19.2
- Energy Policy Act of 1992
- IAPMO/UPC
- CSA B45.0
- CSA B45.1
- CSA International

Colors/Finishes

- 0: White
- Other: Refer to Price Book for additional colors/finishes

Accessories

- 0: White
- BN: Brushed Nickel
- CP: Polished Chrome
- PB: Vibrant® Polished Brass
- Other: Refer to Price Book for additional colors/finishes

Specified Model

| Model | Description | Trip Lever | Colors/Finishes | |
|--------|---------------------------------|------------|----------------------------|-------------------------------------|
| K-3487 | Elongated bowl toilet with tank | left-hand | <input type="checkbox"/> 0 | <input type="checkbox"/> Other_____ |

| Recommended Accessories | | | | |
|-------------------------|---|-----------------------------|-------------------------------------|-------------------------------------|
| K-4650 | Lustra™ open-front toilet seat for ADA compliance | <input type="checkbox"/> 0 | <input type="checkbox"/> Other_____ | |
| K-4659 | Bancroft™ elongated toilet seat with color-matched hinges | <input type="checkbox"/> 0 | <input type="checkbox"/> Other_____ | |
| K-4685 | Bancroft™ elongated toilet seat with metal hinges | <input type="checkbox"/> 0 | <input type="checkbox"/> Other_____ | |
| K-7637 | Angle supply with stop – 3/8" NPT | <input type="checkbox"/> CP | <input type="checkbox"/> PB | <input type="checkbox"/> Other_____ |

Optional Accessories table is on page 2.

Product Specification

The combination toilet shall be made of vitreous china. The toilet shall be 30-5/8" (77.8 cm) in length, 18-1/4" (46.4 cm) in width, and 31-1/2" (80 cm) in height with 11-3/8" (28.9 cm) x 9-1/4" (23.5 cm) water area. The toilet shall have a 12" (30.5 cm) rough-in, 1.6 gpf (6 lpf) or 1.4 gpf (5.3 lpf), and 2-1/8" (5.4 cm) glazed trapway. The toilet shall have an elongated bowl, an EDPM flapper, and Class 5 flushing system. The toilet shall be less seat and supply. The toilet shall be Kohler Model K-3487-_____.

BANCROFT™

Optional Accessories

| | | | | |
|--------|---|-----------------------------|-----------------------------|-------------------------------------|
| K-9475 | Bancroft™ left-hand trip lever (non-CP) | <input type="checkbox"/> PB | <input type="checkbox"/> BN | <input type="checkbox"/> Other_____ |
|--------|---|-----------------------------|-----------------------------|-------------------------------------|

Technical Information

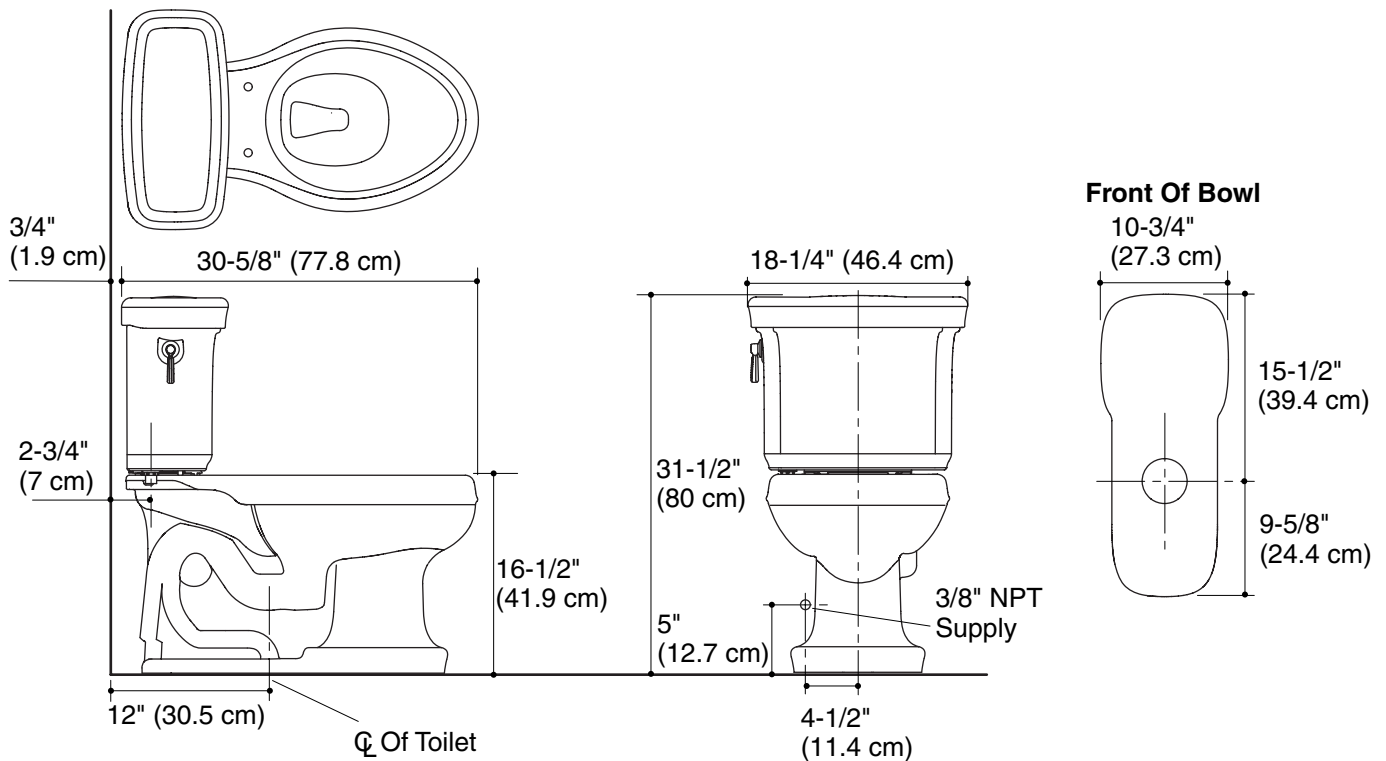
| | |
|------------------------|---|
| Fixture: | |
| Configuration | two-piece, elongated front |
| Water per flush | 1.6 gal (6 L) or 1.4 gal (5.3 L) |
| Passageway | 2-1/8" (5.4 cm) |
| Water area | 11-3/8" (28.9 cm) x 9-1/4" (23.5 cm) |
| Water depth from rim | 6" (15.2 cm) |
| Seat post hole centers | 5-1/2" (14 cm) |

Included components:

| | |
|-------------------------|---------|
| Bowl | K-4281 |
| Tank | K-4633 |
| Tank cover | 1033723 |
| Trip lever | 1042212 |
| Bolt cap accessory pack | 1013092 |
| Tank accessory pack | 1016548 |

Installation Notes

Install this product according to the installation guide.



Product Diagram