



Features

- Vitreous china
- Without overflow
- ADA compliant when distance from rim to floor is 34" (86.4 cm)
- Available as above-the-counter or wall-mount installation
- 16-1/4" (41.3 cm) diameter

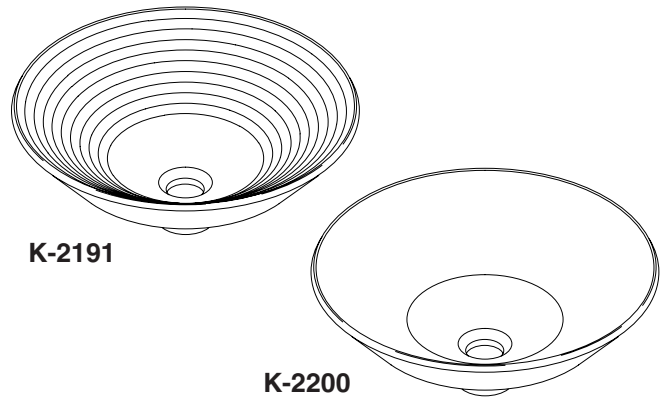
VESSELS LAVATORY
K-2191
ALSO K-2200, K-14223

ADA

Codes/Standards Applicable

Specified model meets or exceeds the following:

- ADA
- ASME A112.19.2
- IAPMO/UPC
- CSA International
- CSA B45.0
- CSA B45.1
- ICC/ANSI A117.1



Colors/Finishes

- 0: White
- 96: Biscuit
- G9: Sandbar
- Other: Refer to Price Book for additional colors/finishes

Accessories:

- CP: Polished Chrome
- P5: Iron Black

Specified Model

Model	Description	Colors/Finishes			
K-2191	Turnings™ lavatory – above-the-counter (shown)	<input type="checkbox"/> 0			<input type="checkbox"/> Other_____
K-2191-G	Turnings™ lavatory, glazed underside – above-the-counter or wall-mount	<input type="checkbox"/> 0			<input type="checkbox"/> Other_____
K-2200	Conical Bell™ lavatory – above-the-counter (shown)	<input type="checkbox"/> 0			<input type="checkbox"/> Other_____
K-2200-G	Conical Bell™ lavatory, glazed underside – above-the-counter or wall-mount	<input type="checkbox"/> 0			<input type="checkbox"/> Other_____
K-14223-G4	Garden Bandana™ lavatory, vibrant red and orange design – above-the-counter or wall-mount	<input type="checkbox"/> 0			
K-14223-GB	Garden Bandana™ lavatory, blue design – above-the-counter or wall-mount		<input type="checkbox"/> 96		
K-14223-SP	Serpentine Bronze™ lavatory – above-the-counter or wall-mount			<input type="checkbox"/> G9	

Product Specification

The lavatory shall be made of vitreous china. Lavatory shall be 16-1/4" (41.3 cm) in diameter. Lavatory shall be available for above-the-counter or wall-mount installation. Lavatory shall be without overflow. Lavatory shall be ADA compliant when distance from rim to floor is 34" (86.4 cm). Lavatory shall be Kohler Model K-____-____ or K-____-____-____.



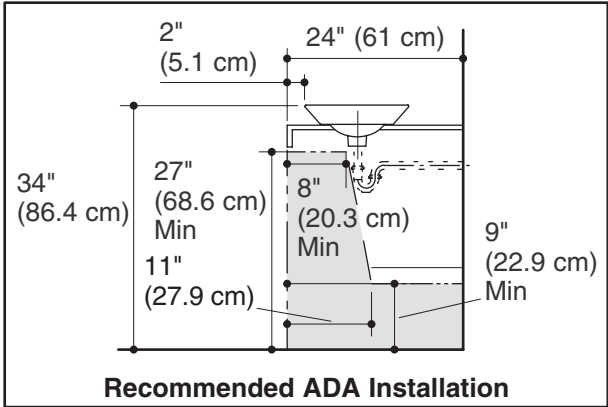
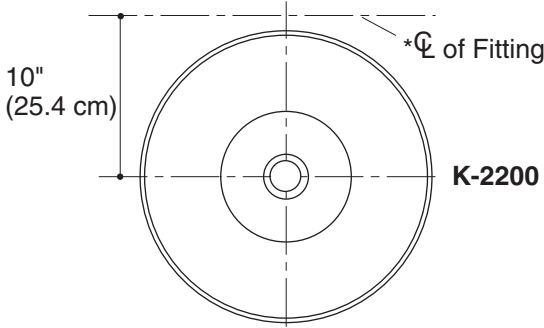
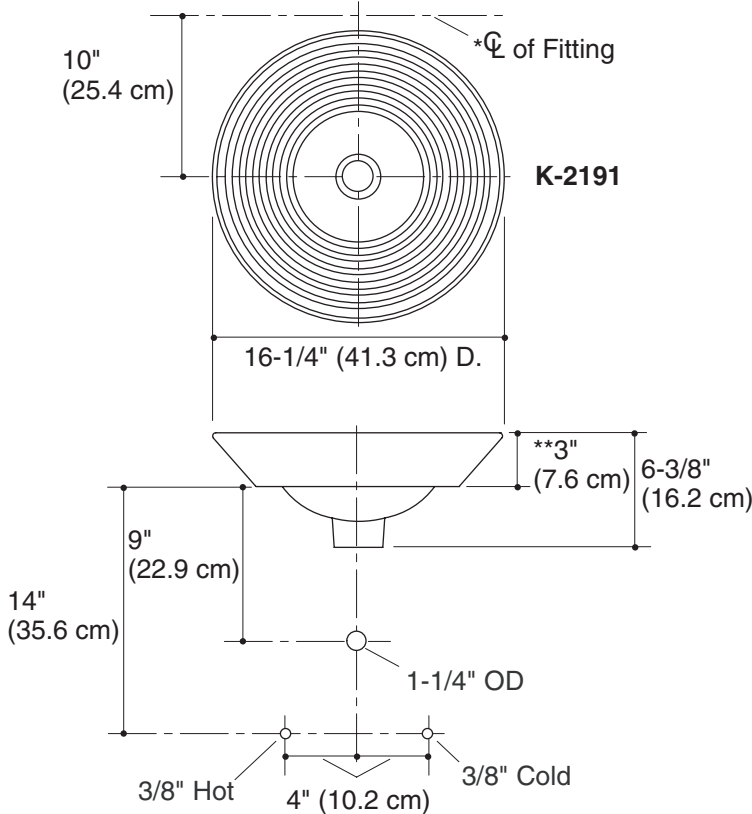
Recommended Accessories				
K-7114	Pop-up drain OR		<input type="checkbox"/> CP	<input type="checkbox"/> Other_____
K-7715	Lavatory grid drain with tailpiece		<input type="checkbox"/> CP	<input type="checkbox"/> Other_____
K-9018	P-trap		<input type="checkbox"/> CP	<input type="checkbox"/> Other_____
K-9655	Black wrought iron wall-mount bracket	<input type="checkbox"/> P5		

Technical Information

Fixture*:	
Lavatory	
Basin area	15-7/8" (40.3 cm) D.
Water depth	4-1/4" (10.8 cm)
Drain hole	1-3/4" (4.4 cm) D.
* Approximate measurements for comparison only.	
Included components:	
Adjustable linkage	84474
Cut-out template	1002980-7

Installation Notes

Install this product according to the installation guide.
 Product does not have an overflow.
 Spout must be 5" (12.7 cm) long (min) for adequate clearance into the lavatory when installed with centerline as shown.
 Spout must be tall enough to clear 3" (7.6 cm) rim height and provide a 1" (2.5 cm) air gap per ASME A112.1.2
NOTICE: Countertop manufacturer or cutter **must** use the cut-out template provided with the product, or a current one provided by Kohler Co. (call 1-800-4-KOHLER). Kohler Co. is not responsible for cut-out errors when the incorrect cut-out template is used.



Product Diagram