

## Ordering Information

Mexico faucets and fittings have an <b>M</b> after the first sequence of numbers (such as K-12345 <b>M</b> )		
Applicable product:		
8" (20.3cm) centers lavatory	K-2906-8	shown
4" (10.2cm) centers lavatory	K-2906-4	not shown
Single-hole lavatory	K-2906-1	not shown
Accessories/hardware		
Trap	K-8998	recommended

## Product Information

ADA compliant.			
Fixture*:		basin area	water depth
Lavatory		16" (40.6cm) x 11" (27.9cm)	4-7/8" (12.4cm)
Outlet	1-11/16" D. (4.3cm)		
* Approximate measurements for comparison only.			

## Product Information

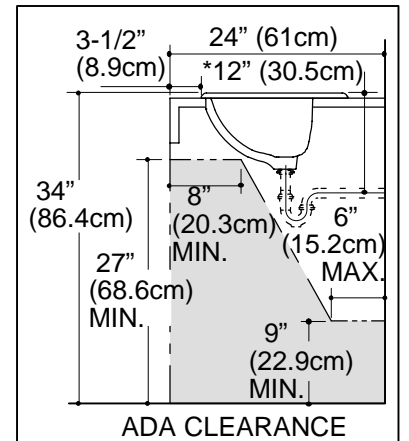
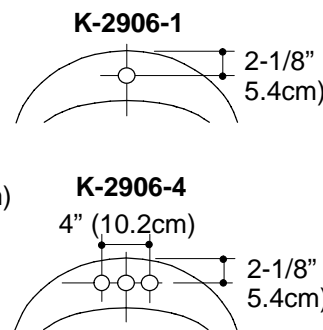
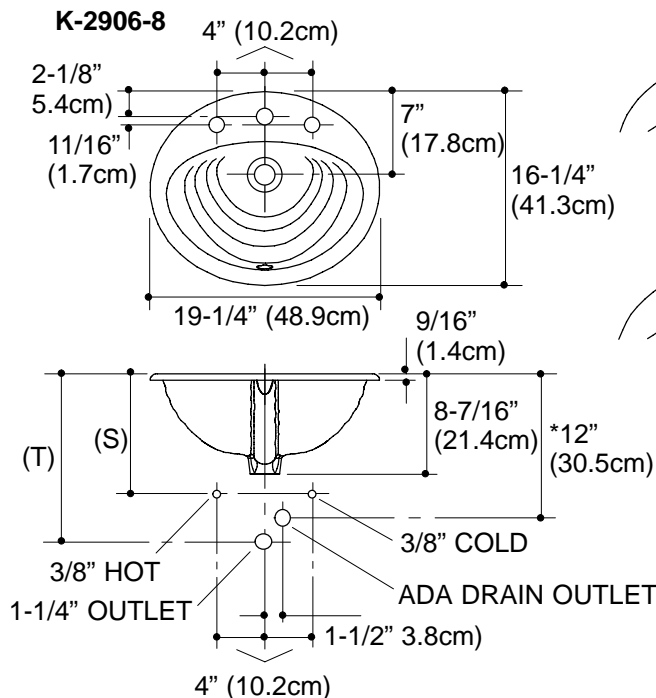
Holes	K-2906-1	K-2906-4	K-2906-8
Spout	1-3/8" D. (3.5cm)	1-1/8" D. (2.9cm)	1-1/8" D. (2.9cm)
Faucet		1-3/16" D. (3cm)	1-3/8" D. (3.5cm)

Included Components:	
Overflow ferrule (1)	84896
Cutout template	1002972-7

## Installation Notes

Refer to installation instructions included with fixture before beginning installation.

**NOTICE:** Countertop manufacturer or cutter **must** use the cut-out template provided with the product, or a current one provided by Kohler Co. (call 1-800-43-FOCUS). Kohler Co. is not responsible for cut-out errors when the incorrect cut-out template is used.



## Roughing-In Notes

Fixture dimensions are nominal and conform to tolerances in ASME/ANSI Standard A112.19.1M.

\*Based on K-8998 with 1" (2.5cm) of tailpiece exposed.

(T) Pop-up drain 14-1/16" (35.7cm), grid drain 13-3/16" (33.5cm)

Supply (Based on 12" (30.5cm) riser which may require cutting).	K-2906-1, K-2906-4	K-2906-8
(S)	10" (25.4cm)	14" (35.6cm)