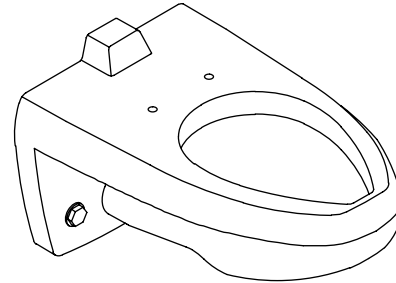


### Features

- Vitreous china
- Elongated bowl
- Wall-mount
- With bedpan lugs (-L)
- 1-1/2" rear spud
- 12-3/8" (31.4 cm) x 11-3/8" (28.9 cm) water area
- ADA compliant when installed at required height of 17" (43.2 cm) - 19" (48.3 cm) from floor to top of seat
- 1.6 gpf (6 lpf)
- 25-5/8" (65.1 cm) x 16-3/4" (42.5 cm) x 13-1/4" (33.7 cm)

**BOWL  
K-4329**

**ADA**



### Codes/Standards Applicable

Specified model meets or exceeds the following:

- ADA
- ASME A112.19.2
- IAPMO/UPC
- ICC/ANSI A117.1
- Energy Policy Act of 1992 (EPACT)
- CSA B45

### Colors/Finishes

- 0: White
- Other: Refer to Price Book for additional colors/finishes

### Accessories:

- 0: White
- Other: Refer to Price Book for additional colors/finishes

### Specified Model

| Model    | Description                            | Colors/Finishes            |                                     |
|----------|--|----------------------------|-------------------------------------|
| K-4329   | Elongated bowl toilet                  | <input type="checkbox"/> 0 | <input type="checkbox"/> Other_____ |
| K-4329-L | Elongated bowl toilet with bedpan lugs | <input type="checkbox"/> 0 | <input type="checkbox"/> Other_____ |

| Recommended Accessories |  |                            |                                     |
|-------------------------|--|----------------------------|-------------------------------------|
| K-4670-C                | Lustra™ open front seat                          | <input type="checkbox"/> 0 | <input type="checkbox"/> Other_____ |
| K-4670-CA               | Lustra open front seat with anti-microbial agent | <input type="checkbox"/> 0 |                                     |

### Product Specification

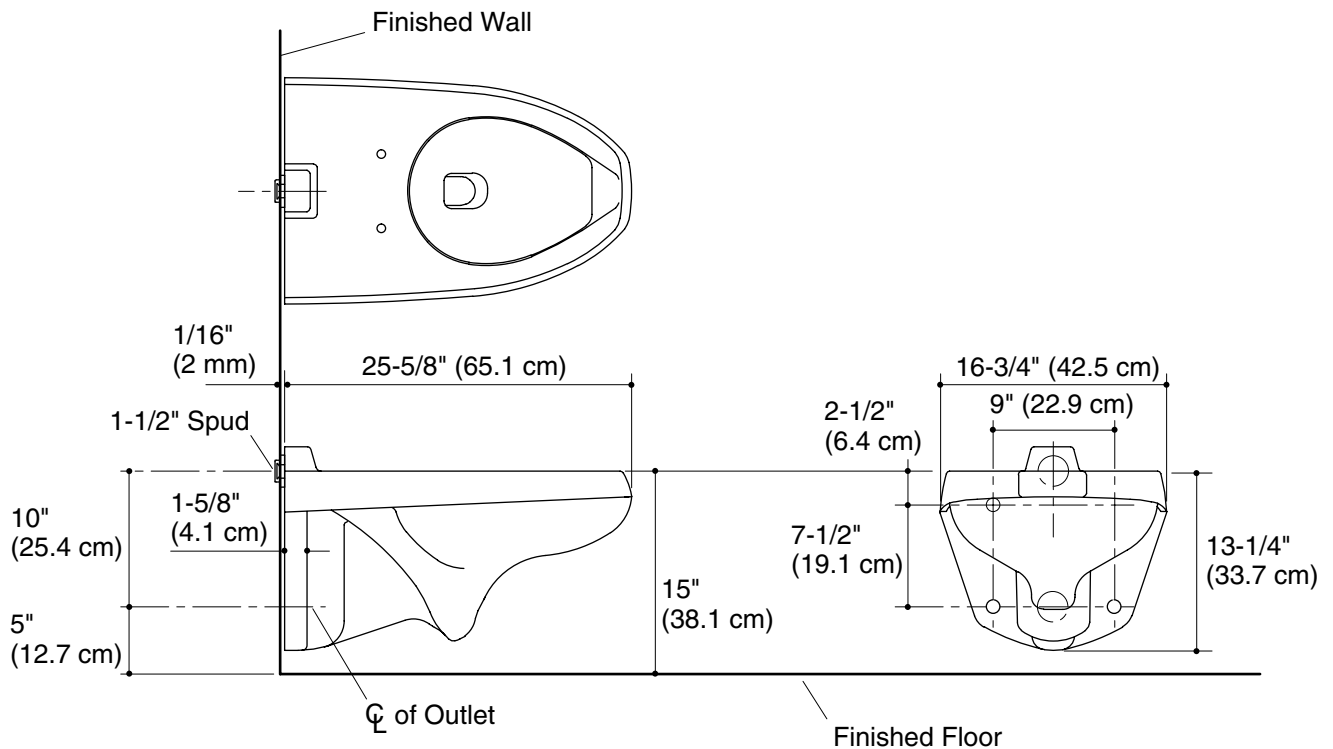
The elongated bowl shall be wall-mount with a 1-1/2" rear spud. Bowl shall be made of vitreous china. Bowl shall have 12-3/8" (31.4 cm) by 11-3/8" (28.9 cm) water area. Bowl shall be 1.6 gpf (6 lpf). Bowl shall be ADA compliant when installed at required height of 17" (43.2 cm) - 19" (48.3 cm) from floor to top of seat. Bowl shall have bed pan lugs (-L). Bowl shall be 25-5/8" (65.1 cm) in length, 16-3/4" (42.5 cm) in width, and 13-1/4" (33.7 cm) in height. Bowl shall be Kohler Model K-4329-\_\_\_\_\_-\_\_\_\_\_.

## Technical Information

|  |                                       |
|--|---------------------------------------|
| Fixture is ADA compliant when installed at required height of 17" (43.2 cm) - 19" (48.3 cm). <span style="border: 1px solid black; padding: 2px;">ADA</span> |                                       |
| Fixture:   |                                       |
| Configuration  | Rear spud, elongated                  |
| Water per flush  | 1.6 gal (6 L)                         |
| Spud size  | 1-1/2"                                |
| Passageway   | 2-1/4" (5.7 cm)                       |
| Water area   | 12-3/8" (31.4 cm) x 11-3/8" (28.9 cm) |
| Water depth from rim   | 5-1/4" (13.3 cm)                      |
| Seat post hole centers   | 5-1/2" (14 cm)                        |
| * Designed to flush with 1.6 gal (6 L) of water when installed with a 1.6 gpf (6 lpf) valve.   |                                       |
| Included components:   |                                       |
| Spud   | 18357                                 |

## Installation Notes

Install this product according to the installation guide. Refer to manufacturer and local codes for flush valve requirements.



## Product Diagram