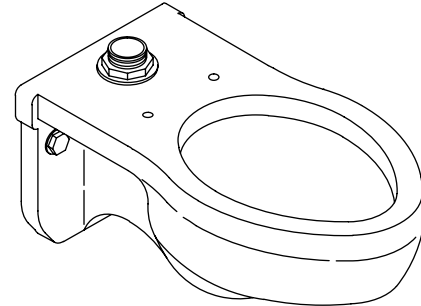


WATER-GUARD® BOWL K-4450-C

ADA

Features

- Vitreous china
- Elongated bowl
- ADA compliant when installed at required height of 17" (43.2 cm) - 19" (48.3 cm) from floor to top of seat
- Blow-out
- Wall-mount
- 1-1/2" top spud
- 3.5 gpf (13.2 lpf)
- 14-1/2" (36.8 cm) x 11-3/8" (28.9 cm) water area
- With bedpan lugs (-CL)
- 26" (66 cm) x 14" (35.6 cm) x 11-3/4" (29.8 cm)



Codes/Standards Applicable

Specified model meets or exceeds the following:

- ADA
- ASME A112.19.2
- IAPMO/UPC
- ICC/ANSI A117.1
- Energy Policy Act of 1992 (EPACT)

Colors/Finishes

- 0: White

Accessories:

- 0: White
- Other: Refer to Price Book for additional colors/finishes

Specified Model

Model	Description	Colors/Finishes	
K-4450-C	Elongated bowl toilet	<input type="checkbox"/> 0	
K-4450-CL	Elongated bowl toilet with bedpan lugs	<input type="checkbox"/> 0	
Recommended Accessories			
K-4670-C	Lustra™ open front seat	<input type="checkbox"/> 0	<input type="checkbox"/> Other _____
K-4670-CA	Lustra open front seat with anti-microbial agent	<input type="checkbox"/> 0	

Product Specification

The elongated, wall-mount, blow-out bowl shall have a 1-1/2" top spud. Bowl shall be made of vitreous china. Bowl shall have 14-1/2" (36.8 cm) by 11-3/8" (28.9 cm) water area. Bowl shall be 3.5 gpf (13.2 lpf). Bowl shall be ADA compliant when installed at required height of 17" (43.2 cm) - 19" (48.3 cm) from floor to top of seat. Bowl shall have bedpan lugs (-CL). Bowl shall be 26" (66 cm) in length, 14" (35.6 cm) in width, and 11-3/4" (29.8 cm) in height. Bowl shall be Kohler Model K-4450-_____-0.

STRATTON™

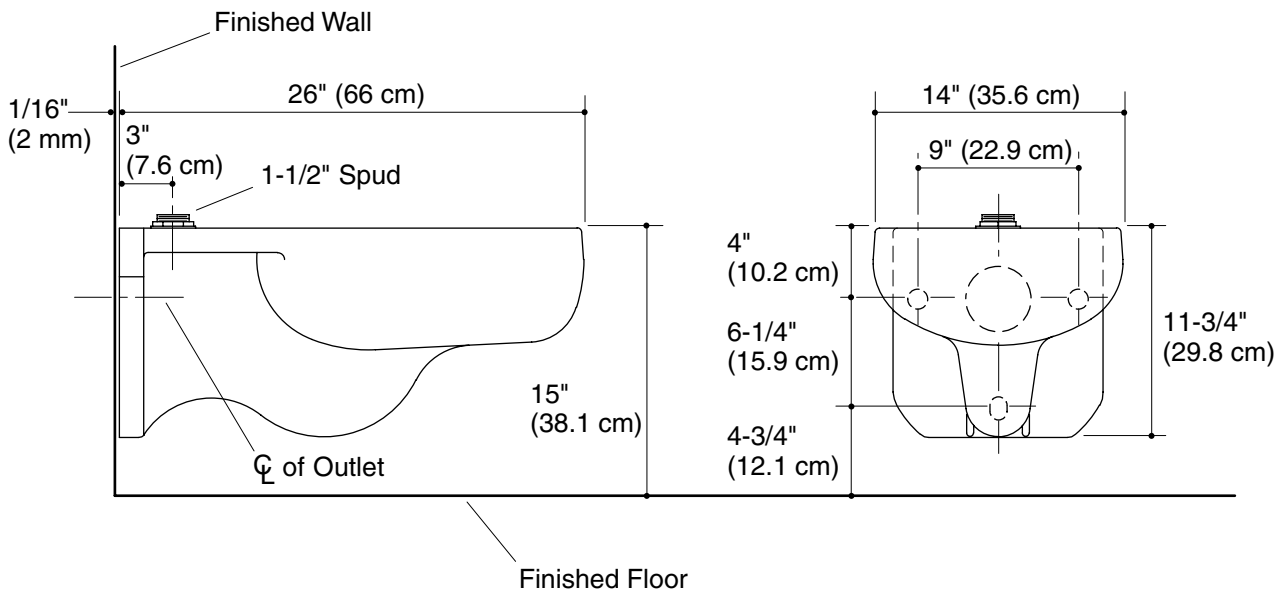
Technical Information

<p>Fixture is ADA compliant when installed at required height of 17" (43.2 cm) - 19" (48.3 cm) from floor to top of seat.</p>	
<p>ADA</p>	
<p>Fixture:</p>	
Configuration	Top spud, elongated
Water per flush	3.5 gal (13.2 L)*
Spud size	1-1/2"
Passageway	2-3/4" (7 cm)
Water area	14-1/2" (36.8 cm) x 11-3/8" (28.9 cm)
Water depth from rim	5-3/8" (13.7 cm)
Seat post hole centers	5-1/2" (14 cm)
Minimum running pressure required	25 psi (172.4 kPa)
<p>* Designed to flush with 3.5 gal (13.2 L) of water when installed with a 3.5 gpf (13.2 lpf) valve.</p>	

Included components:	
Spud	18357

Installation Notes

Install this product according to the installation guide. Refer to manufacturer and local codes for flush valve requirements.



Product Diagram