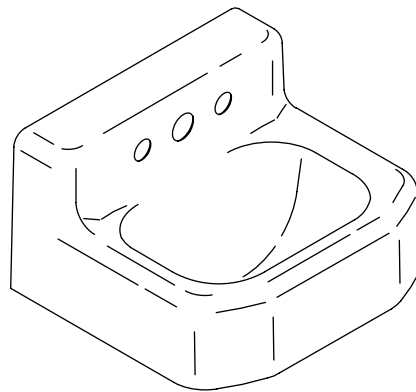


### Features

- KOHLER cast iron
- Wall-mount
- With overflow
- Less K-7485 faucet (recommended)
- 16" (40.6 cm) x 14" (35.6 cm)

### WALL-MOUNT LAVATORY K-2485



### Codes/Standards Applicable

Specified model meets or exceeds the following:

- ASME A112.19.1M
- IAPMO/UPC
- CSA B45

### Colors/Finishes

- 0: White

#### Accessories:

- CP: Polished Chrome

### Specified Model

Model	Description	Colors/Finishes
K-2485	Wall-mount lavatory less faucet	<input type="checkbox"/> 0
<b>Recommended Accessories</b>		
K-2480-A	Support bolt (if required) for use with "cold water supply" only	<input type="checkbox"/> CP
K-7485	Faucet	<input type="checkbox"/> CP

### Product Specification

The wall-mount lavatory shall be 16" (40.6 cm) in length and 14" (35.6 cm) in width. Lavatory shall be made of cast iron. Lavatory shall be less K-7485 faucet (recommended). Lavatory shall have overflow. Lavatory shall be Kohler Model K-2485-0.

# TAUNTON™

## Technical Information

Fixture*:	
Basin area	12" (30.5 cm) x 9" (22.9 cm)
Water depth	5" (12.7 cm)
Drain hole	1-11/16" (4.3 cm) D.
*Approximate measurements for comparison only.	

Holes	<b>K-2485</b>
Spout	1-1/2" (3.8 cm) D.
Faucet	1-3/16" (3 cm) D.

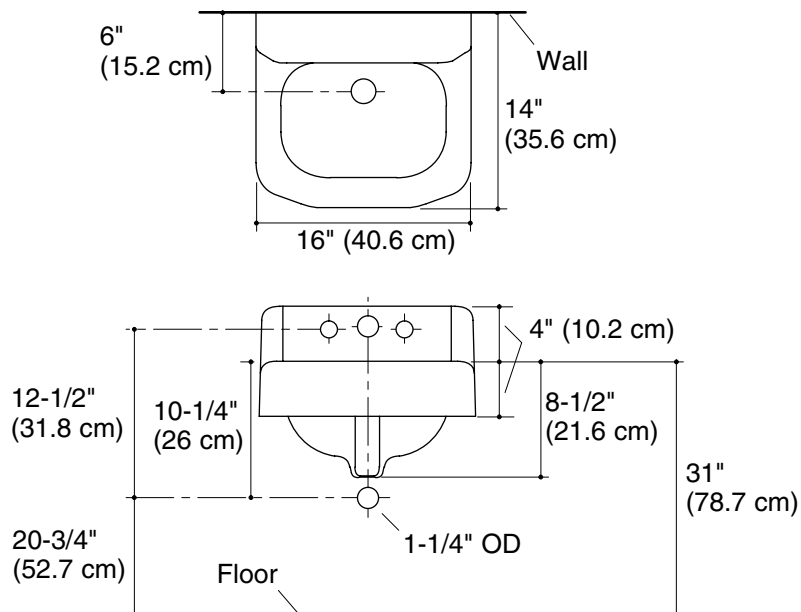
Included components:	
Overflow ferrule (1)	84896
Hanger	64508

## Installation Notes

Install this product according to the installation guide.

When this product is installed with K-7485, the fixture is supported on the wall by the fitting. For all other installations, the fixture is supported by the hanger.

Stop valves should be provided in supply lines.



## Product Diagram