

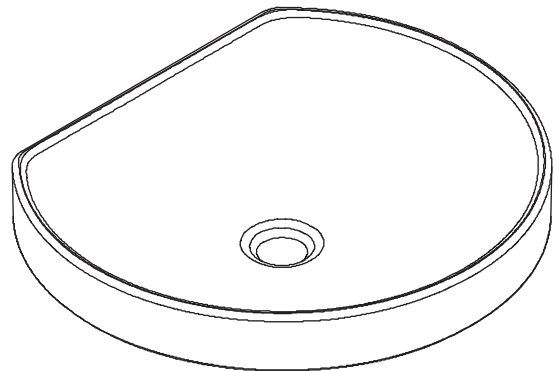
#### Features

- Vitreous china
- Countertop installation
- 18-5/8" (47.3 cm) x 16-3/16" (41.1 cm)

#### Codes/Standards Applicable

Specified model meets or exceeds the following:

- ASME A112.19.2
- IAPMO/UPC
- CSA International
- ADA



#### Colors/Finishes

- 0: White
- Other: Refer to Price Book for additional colors/finishes

#### Accessories:

- CP: Polished Chrome
- NA: None applicable
- Other: Refer to Price Book for additional colors/finishes

#### Specified Model

Model	Description	Colors/Finishes	
K-2332	Wading Pool lavatory	<input type="checkbox"/> 0	<input type="checkbox"/> Other_____
<b>Required Accessories</b>			
K-7710	Metal stopper <b>OR</b>	<input type="checkbox"/> CP	<input type="checkbox"/> Other_____
K-7715	Grid drain	<input type="checkbox"/> CP	<input type="checkbox"/> Other_____
<b>Recommended Accessories</b>			
K-9018	P-Trap	<input type="checkbox"/> CP	<input type="checkbox"/> Other_____
K-14407	Purist™ widespread faucet with high handles	<input type="checkbox"/> CP	<input type="checkbox"/> Other_____

#### Product Specification:

The vitreous china lavatory shall be 18-5/8" (47.3 cm) in length and 16-3/16" (41.1 cm) in width. Lavatory shall be for countertop installation. Product shall be Kohler Model K-2332-\_\_\_\_\_.

# WATERCOVE™

## Technical Information

Fixture*:	
Basin area	17-11/16" (44.9 cm) x 15-5/16" (38.9 cm)
Water depth	3-1/2" (8.9 cm)
Drain hole	1-3/4" (4.4 cm) D.
* Approximate measurements for comparison only.	
Included component:	
Cut-out template	1020955-7

## Installation Notes

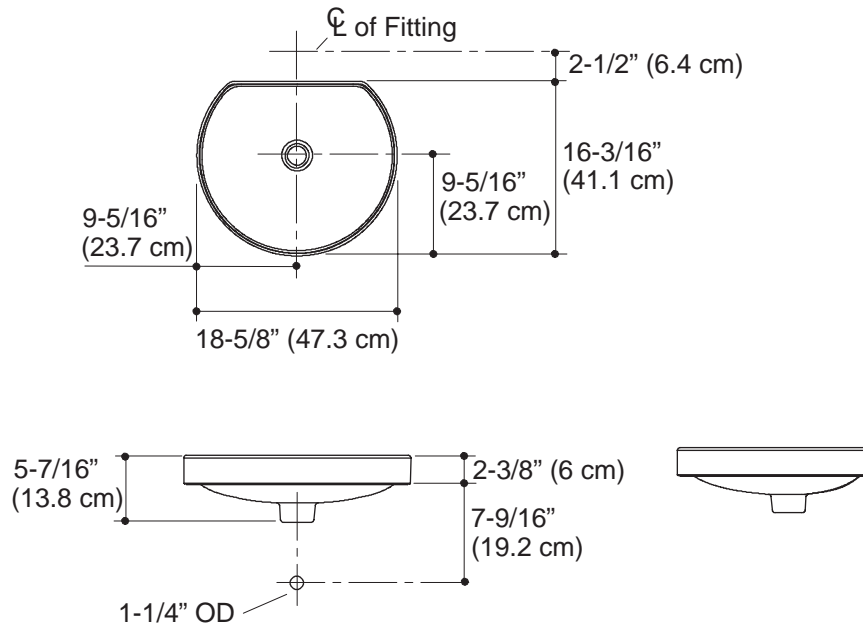
Install this product according to the installation guide.

Product does not have an overflow.

Choose a faucet that will provide adequate clearance and will direct the water stream to the center of the lavatory.

**IMPORTANT!** Product rests on a countertop. Consider height of product when planning the installation.

**NOTICE:** Countertop manufacturer or cutter must use the cut-out template provided with the product, or a current cut-out template provided by Kohler (call 1-800-43-FOCUS). Kohler is not responsible for cutout errors when incorrect cut-out template is used.



## Product Diagram