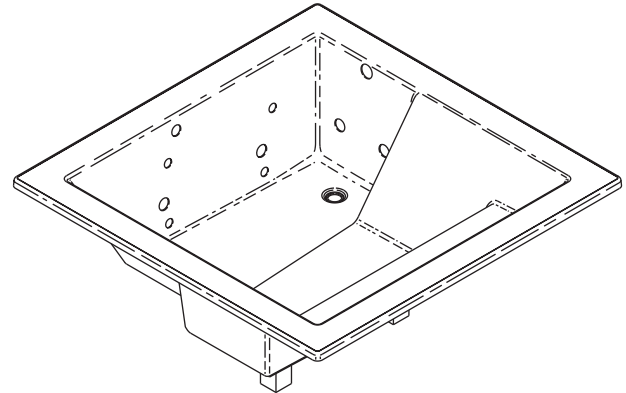


WHIRLPOOL K-1111-H2

Features

- Acrylic
- For corner installation
- 1.5 hp variable speed pump with 1.5 kW heater, back-lit user keypad, and remote control
- 6 Flexjets™
- 4 chromatherapy lights
- Two pillows
- Remote control
- 69-1/4" (175.9 cm) x 69-1/4" (175.9 cm) x 24" (61 cm)



Codes/Standards Applicable

Specified model meets or exceeds the following:

- ANSI Z124.1
- Underwriter's Laboratories (UL)
- IAPMO/UPC
- ASME A112.19.7M

Colors/Finishes

- 0: White
- Other: Refer to Price Book for additional colors/finishes

Accessories:

- CP: Polished Chrome
- PB: Polished Brass
- Other: Refer to Price Book for additional colors/finishes
- NA: None applicable

Specified Model

Model	Description	Colors/Finishes		
K-1111-H2	Whirlpool	<input type="checkbox"/> 0	<input type="checkbox"/> Other_____	
Required Accessory				
K-9696	Trim Kit	<input type="checkbox"/> CP	<input type="checkbox"/> PB	<input type="checkbox"/> Other_____
Recommended Accessory				
K-7167-AF	Drain	<input type="checkbox"/> CP	<input type="checkbox"/> PB	<input type="checkbox"/> Other_____
Optional Accessories				
K-588	Undermount Kit		<input type="checkbox"/> NA	
K-1601	Footstop		<input type="checkbox"/> 0	<input type="checkbox"/> Other_____

Product Specification:

The whirlpool shall be 69-1/4" (175.9 cm) in length, 69-1/4" (175.9 cm) in width, and 24" (61 cm) in height. Whirlpool shall be made of acrylic. Whirlpool shall have 1.5 hp variable speed pump with 1.5 kW heater. Whirlpool shall have back-lit user control and remote control. Whirlpool shall have 6 Flexjets™, and 4 chromatherapy lights. Product shall include two pillows. Whirlpool shall be Kohler Model K-1111-H2-_____.

CONSONANCE™

Technical Information

Fixture*:	basin area	top area	weight
Bathing well	45" (114.3 cm) x 43" (109.2 cm)	57" (144.8 cm) x 57" (144.8 cm)	300 lbs (136.08 kg)
	water depth	capacity	
To overflow	19-1/2" (49.5 cm)	170 gal. (643.5 L)	

* Approximate measurements for comparison only.

Pump:	Heater	V	A*
1.5 hp	1.5 kW	240	11

* Approximate measurements for comparison only.

Required Electrical Service

Dedicated circuit required, protected with Class A Ground-Fault Circuit-Interrupter (GFCI) or Earth-Leakage Circuit-Breaker (ELCB):	
Pump/control	208-240 V, 20 A, 50/60 Hz

Installation Notes

Install this product according to the installation guide.

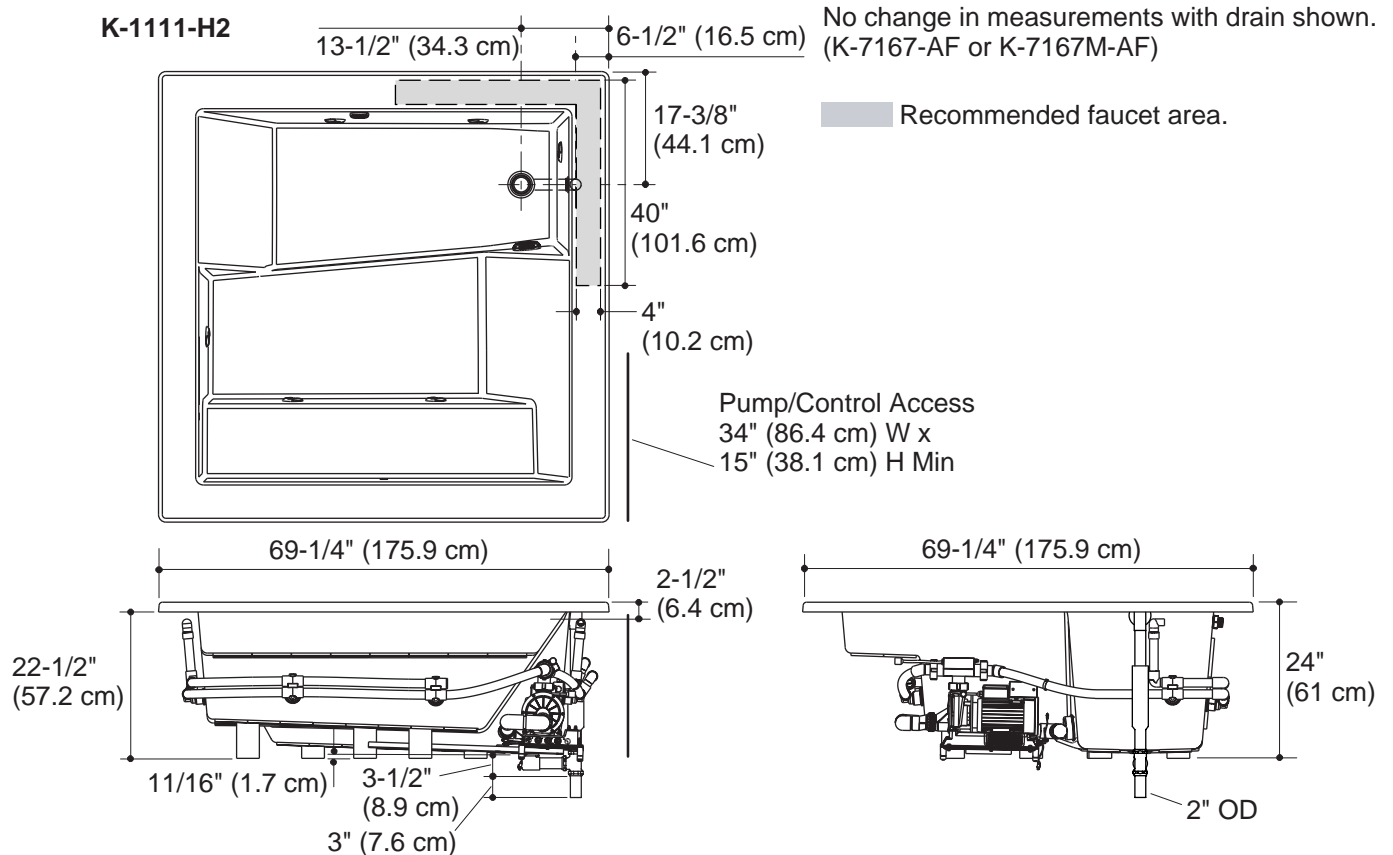
Floor support under whirlpool must provide for a minimum of 2500 lbs (1134 kg).

An access panel for the pump/control is required. The minimum dimension should be 34" (86.4 cm) wide by 15" (38.1 cm) high.

The drop-in cut-out dimension should be 68" (172.7 cm) by 68" (172.7 cm).

Hot water supply should be 70% of capacity or greater. Installations will vary.

If installing a rim mount faucet, make sure there is no interference with drain overflow and circulating system before drilling any holes. Consult local and national codes for minimum air gap requirements if installing a spout on the faucet deck.



Product Diagram