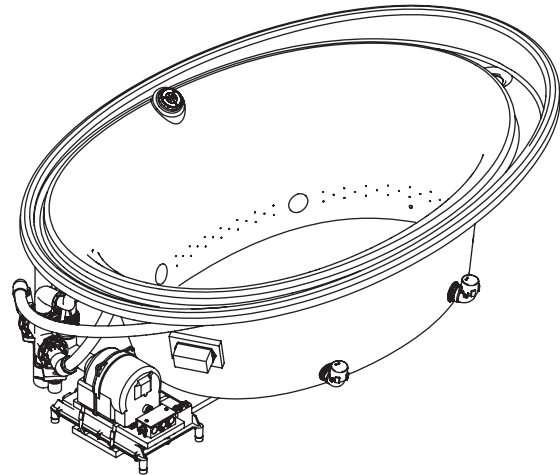


BATH WITH AIRJETS K-1110-G ALSO K-1110-GCR

Features

- Acrylic
- UL listed
- Overflows into horizontal overflow drain for maximum bathing depth
- With Zones of Control™ feature
- 122 BubbleMassage™ airjets
- Coordinating Purist® Suite
- 1 hp blower motor with 300 W heater, and electronic back-lit user control
- 72" (182.9 cm) x 46" (116.8 cm) x 25-11/16" (65.2 cm)
- 21" (53.3 cm) deep bathing well



Codes/Standards Applicable

Specified model meets or exceeds the following:

- ANSI Z124.1.2
- IAPMO/UPC IGC 171
- Underwriters Laboratories (UL)
- CSA International
- ASME A112.19.7M

Colors/Finishes

- 0: White
- Other: Refer to Price Book for additional colors/finishes

Accessories:

- CP: Polished Chrome
- NA: None applicable
- Other: Refer to Price Book for additional colors/finishes

Specified Model

Model	Description	Colors/Finishes	
K-1110-G	BubbleMassage Bath	<input type="checkbox"/> 0	<input type="checkbox"/> Other _____
K-1110-GCR	BubbleMassage Bath with chromatherapy	<input type="checkbox"/> 0	<input type="checkbox"/> Other _____

Required Accessories			
K-589	Undermount template kit (for undermount installations only)	<input type="checkbox"/> NA	
K-7202	Drain	<input type="checkbox"/> CP	<input type="checkbox"/> Other _____

Optional Accessories			
K-1705	Remote control	<input type="checkbox"/> NA	
K-1601	Footstop	<input type="checkbox"/> 0	<input type="checkbox"/> Other _____
K-1491	Pillow	<input type="checkbox"/> 0	<input type="checkbox"/> Other _____
K-9498	3" (7.6 cm) whirlpool keypad trim	<input type="checkbox"/> CP	<input type="checkbox"/> Other _____

Product Specification

The BubbleMassage bath shall be 72" (182.9 cm) in length, 46" (116.8 cm) in width, and 25-11/16" (65.2 cm) in height. Bath shall have a 21" (53.3 cm) deep bathing well. Bath shall be made of acrylic. Bath shall have a 1 hp blower motor and back-lit user control. Bath shall have zones of control and 122 BubbleMassage airjets. Bath shall overflow into a horizontal overflow drain for maximum bathing depth. Bath shall be UL listed. Bath shall coordinate with Purist Suite. Bath shall be Kohler Model K-1110-G____-_____.

PURIST™ BUBBLEMASSAGE™

Technical Information

Fixture*:	Basin area	Top area	Weight
Bathing well	45" (114.3 cm) x 25-1/2" (64.8 cm)	63" (160 cm) x 31-1/2" (80 cm)	134 lbs (60.8 kg)
To overflow	Water depth	Capacity	
	21" (53.3 cm)	115 gal (435.3 L)	
* Approximate measurements for comparison only.			

Blower motor / control:	Heater	Voltage	Frequency	Amperage
1 hp	300 W	220-240 V	50/60 Hz	3 A

Included components:	
Cut-out template (drop-in only)	1016369-7

Required Electrical Service

Dedicated circuit required, protected with Class A Ground-Fault Circuit-Interrupter (GFCI) or Earth-Leakage Circuit-Breaker (ELCB):	
Blower motor/control	220-240 V, 15 A, 50/60 Hz

Installation Notes

Install this product according to the installation guide.

Floor support under bath must provide for a minimum of 1400 lbs (635 kg).

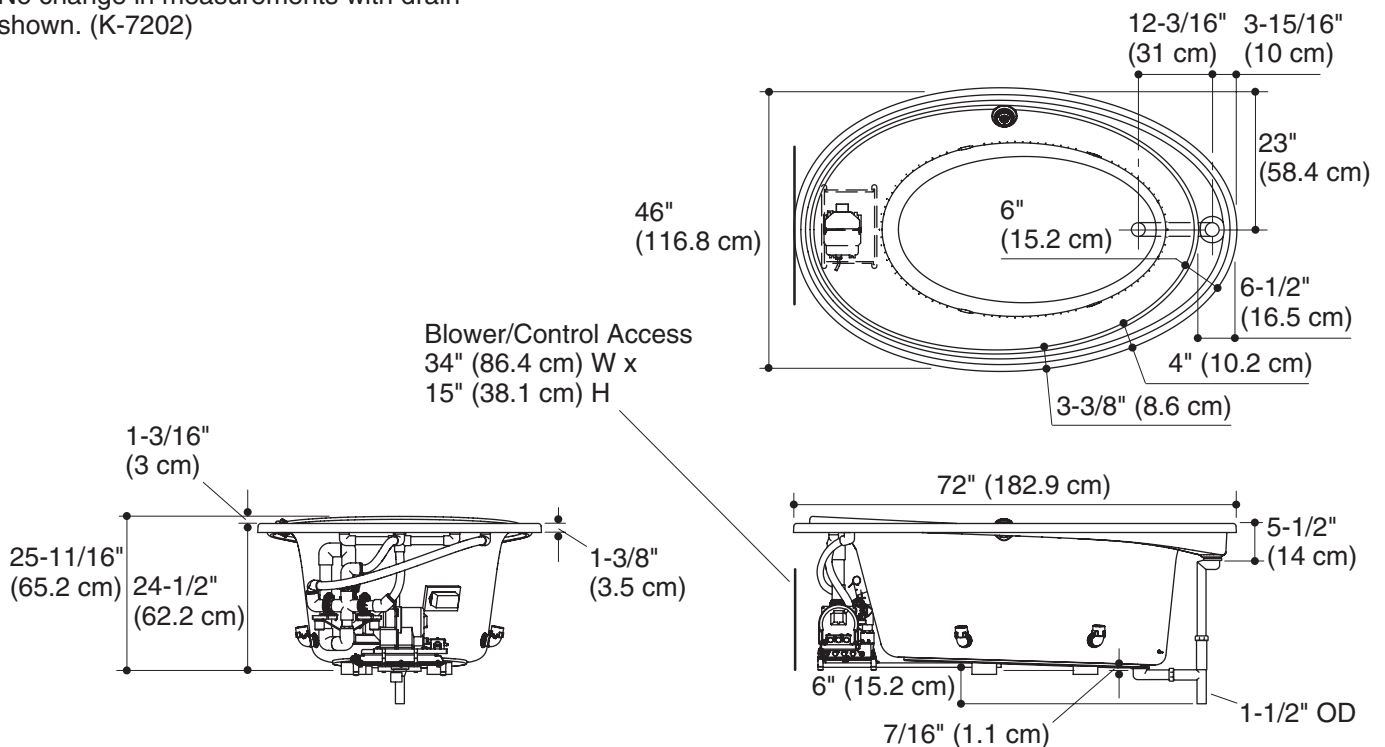
Hot water supply should be 70% of capacity or greater. Installations will vary.

This bath is designed for drop-in installation only. It is not suited for use in a three wall alcove with an overhead shower.

A blower motor/control access panel is required.

No change in measurements with drain shown. (K-7202)

K-1110-GCR



Product Diagram