

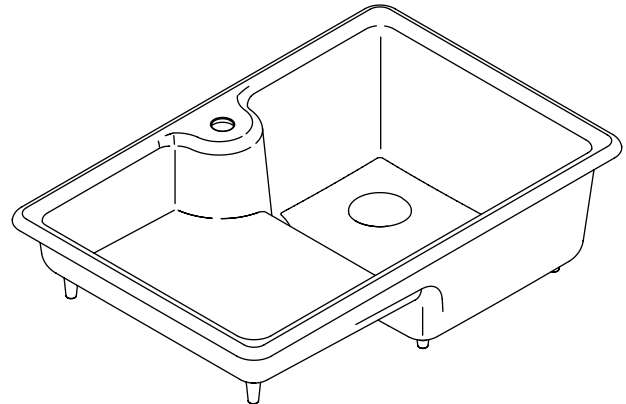
Features

- KOHLER cast iron
- Self-rimming
- Single-hole
- Acid-resistant enamel finish
- Single basin with wet work surface
- 33" (83.8 cm) x 22" (55.9 cm)

Codes/Standards Applicable

Specified model meets or exceeds the following:

- ASME A112.19.1M
- IAPMO/UPC
- CSA B45
- CSA International



Colors/Finishes

- 0: White
- Other: Refer to Price Book for additional colors/finishes

Accessories:

- CP: Polished Chrome
- ST: Stainless Steel

Specified Model

Model	Description	Colors/Finishes	
K-6495-1	Single-hole self-rimming sink for single-hole faucet	<input type="checkbox"/> 0	<input type="checkbox"/> Other_____
Recommended Accessories			
K-6142	Bottom basin rack (right)	<input type="checkbox"/> ST	
K-6143	Bottom basin mat	<input type="checkbox"/> NA	
K-9000	P-Trap	<input type="checkbox"/> CP	

Product Specification

The self-rimming cast iron kitchen sink shall be 33" (83.8 cm) in length and 22" (55.9 cm) in width. Sink shall have an acid resistant enamel finish. Sink shall feature single basin with wet work surface. Sink shall be single-hole (-1). Sink shall be Kohler Model K-6495-1-_____.

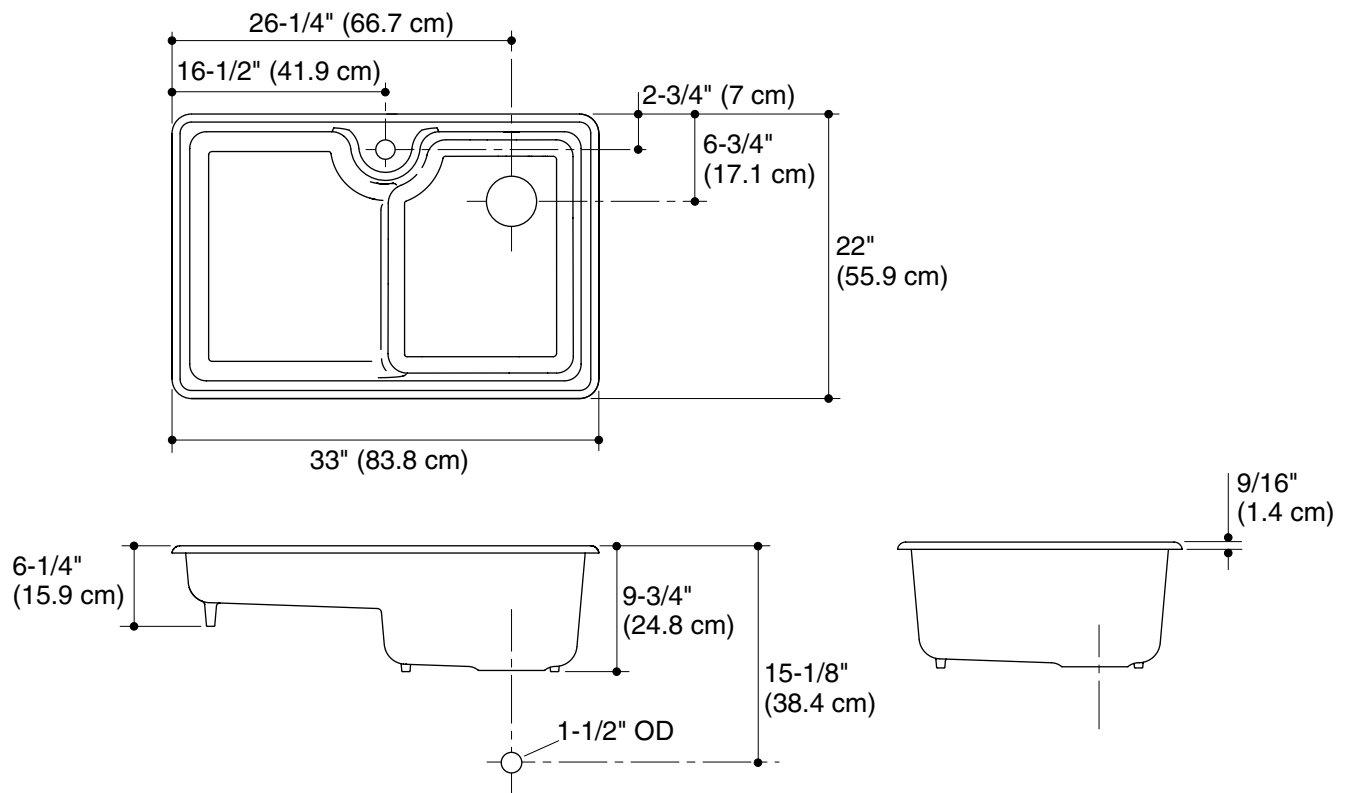
CARRIZO™

Technical Information

Fixture*:	
Basin area	30-3/8" (77.2 cm) x 19-3/8" (49.2 cm)
Water depth	9" (22.9 cm)
Drain hole	3-5/8" (9.2 cm) D.
Faucet hole	1-3/8" (3.5 cm) D.
* Approximate measurements for comparison only.	
Included components:	
Cut-out template	1067374-7

Installation Notes

Install this product according to the installation guide.



Product Diagram