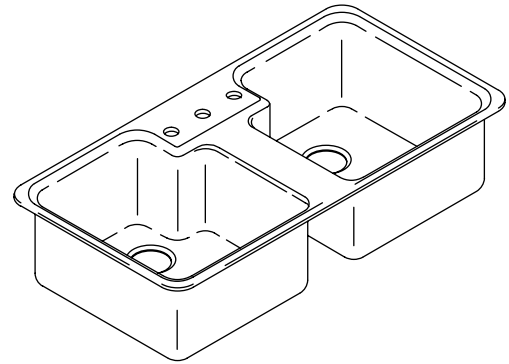


### Features

- KOHLER cast iron
- Acid resistant enamel finish
- Self-rimming
- Double (equal) compartment
- 43" (109.2 cm) x 22" (55.9 cm)
- 3-hole (K-5850-3) or single-hole (K-5850-1) drilling

### SELF-RIMMING KITCHEN SINK K-5850



### Codes/Standards Applicable

Specified model meets or exceeds the following:

- IAPMO/UPC
- Listed in State of Massachusetts
- ASME A112.19.1M
- CSA B45

### Colors/Finishes

- 0: White
- Other: Refer to Price Book for additional colors/finishes

### Accessories:

- CP: Polished Chrome
- 0: White
- Other: Refer to Price Book for additional colors/finishes

### Specified Model

Model	Description	Colors/Finishes	
K-5850-1	Cantina™ single-hole self-rimming kitchen sink	<input type="checkbox"/> 0 White	<input type="checkbox"/> Other_____
K-5850-3	Cantina™ 3-hole self-rimming kitchen sink	<input type="checkbox"/> 0 White	<input type="checkbox"/> Other_____

Recommended Accessories			
K-9000	Trap	<input type="checkbox"/> CP	

Optional Accessories			
K-5859	Saddle cover and polypropylene colander	<input type="checkbox"/> 0 White	
K-5917	Cutting board	<input type="checkbox"/> NA	
K-8801	Duostrainer sink strainer	<input type="checkbox"/> CP	<input type="checkbox"/> Other_____

### Product Specification:

The self-rimming sink shall be 43" (109.2 cm) in length and 22" (55.9 cm) in width. Sink shall be made of cast iron with acid resistant enamel finish. Sink shall be double (equal) compartment. Sink shall be 3-hole (K-5850-3) or single-hole (K-5850-1) drilled. Sink shall be Kohler Model K-5850-\_\_\_\_\_-\_\_\_\_\_.

# CANTINA™

## Technical Information

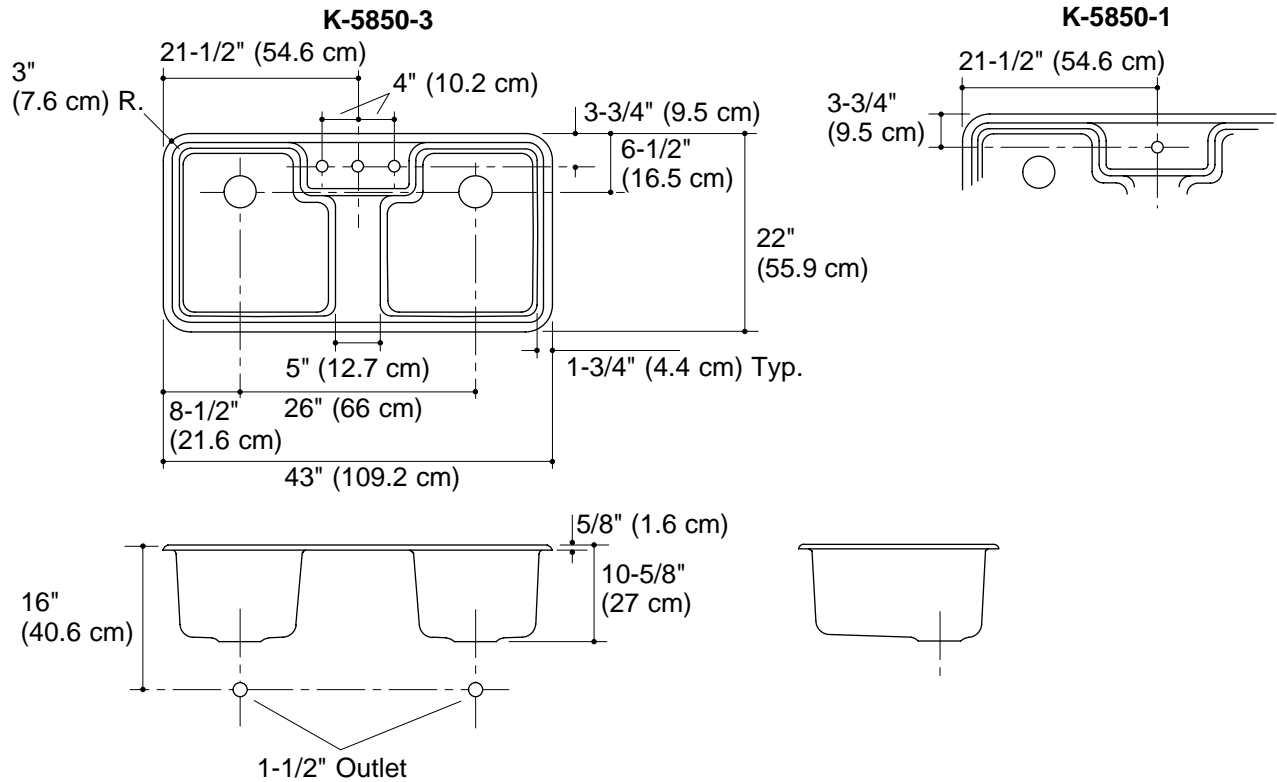
Fixture:*		basin area	water depth
Sinks		17" (43.2 cm) x 19" (48.3 cm)	9" (22.9 cm)
Drain Holes	3-5/8" (9.2 cm) D.		
Faucet Holes	1-3/8" (3.5 cm) D.		

\* Approximate measurements for comparison only.

## Installation Notes

Install this product according to the installation guide.

Cutout dimensions are 41-3/4" (106 cm) x 20-3/4" (52.7 cm) with 2-1/4" (5.7 cm) radius corners.



## Product Diagram