

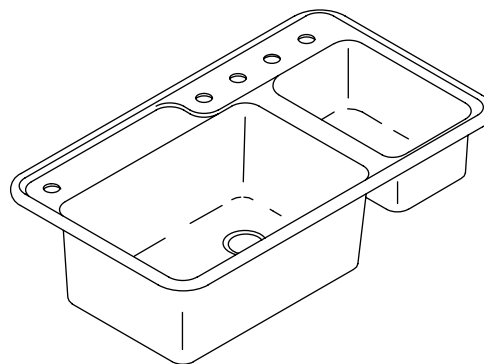
Features

- KOHLER cast iron
- Acid-resistant enamel finish
- Self-rimming
- Double (high/low) compartment
- 5-hole (-5) or 4-hole (-4)
- 38" (96.5 cm) x 22" (55.9 cm)

Codes/Standards Applicable

Specified model meets or exceeds the following:

- ASME A112.19.1M
- IAPMO/UPC



Colors/Finishes

- 0: White
- Other: Refer to Price Book for additional colors/finishes

Accessories:

- CP: Polished Chrome
- NA: None applicable
- Other: Refer to Price Book for additional colors/finishes

Specified Model

Model	Description	Colors/Finishes	
K-5982-5	5-hole sink	<input type="checkbox"/> 0	<input type="checkbox"/> Other_____
K-5982-4	4-hole sink	<input type="checkbox"/> 0	<input type="checkbox"/> Other_____

Recommended Accessories			
K-9000	P-Trap	<input type="checkbox"/> CP	

Optional Accessories			
K-5984	Hardwood cutting board	<input type="checkbox"/> NA	
K-6012	Bottom basin rack (for left basin only)	<input type="checkbox"/> 0	<input type="checkbox"/> Other_____
K-6519	Wire rinse basket (for right basin only)	<input type="checkbox"/> 0	<input type="checkbox"/> Other_____
K-8801	Duostrainer® sink strainer	<input type="checkbox"/> CP	<input type="checkbox"/> Other_____

Product Specification

The kitchen sink shall be made of cast iron with acid-resistant enamel finish. Sink shall be self-rimming with double (high/low) compartments. Sink shall be 5-hole (-5) or 4-hole (-4). Sink shall be 38" (96.5 cm) in length and 22" (55.9 cm) in width. Sink shall be Kohler Model K-5982-_____-_____.

GALLEON™

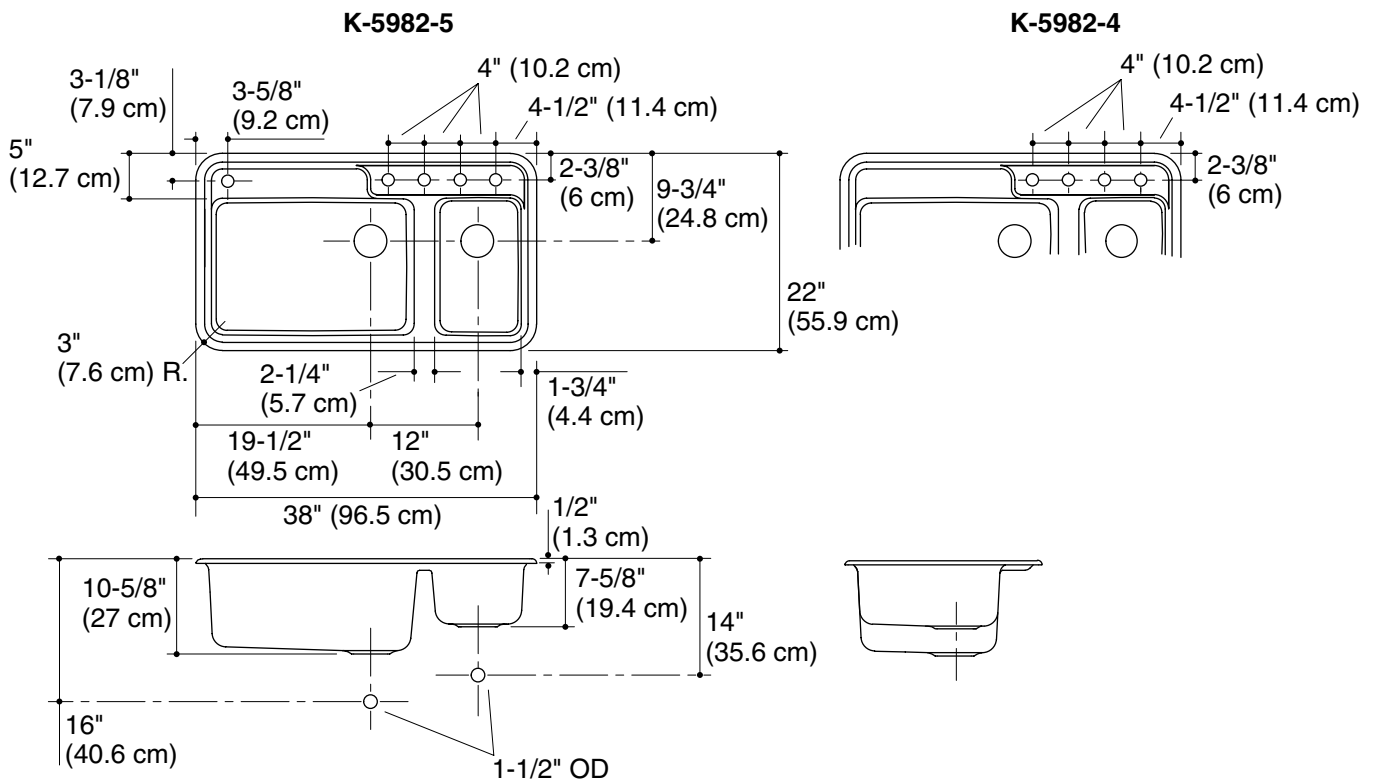
Technical Information

Fixture*:	
Small basin area	10" (25.4 cm) x 15" (38.1 cm)
Water depth, small	6" (15.2 cm)
Large basin area	23" (58.4 cm) x 15" (38.1 cm)
Water depth, large	9" (22.9 cm)
Drain holes	3-5/8" (9.2 cm) D.
Faucet holes	1-3/8" (3.5 cm) D.
* Approximate measurements for comparison only.	

Installation Notes

Install this product according to the installation guide.

Cutout is 36-1/2" (92.7 cm) by 20-1/2" (52.1 cm) with 2" (5.1 cm) radius corners.



Product Diagram