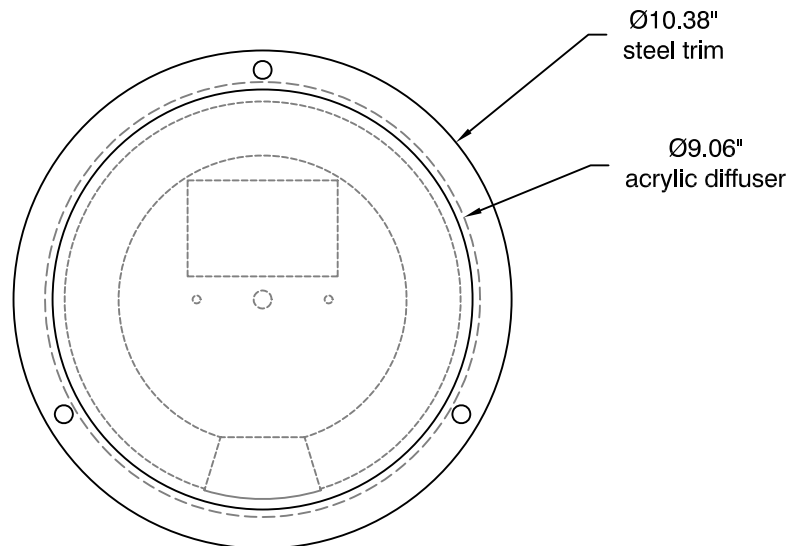


SIDE VIEW



BOTTOM VIEW



ORACLE ceiling mount
oxygen **2-6109-xx**

OXYGEN LIGHTING ©

METAL FINISHES

- o 14 - polished chrome
- o 24 - satin nickel
- o 30 - satin brass

DIFFUSER

- o matte white acrylic

LAMPING

- o 1x22W T9 circline fluorescent

VOLTAGE

- o 120V

DIMENSIONS

- o Ø10.38" x 3.44"(h)

INSTALLATION

- o 4" octagonal "J"-Box
- o UL Damp Listed
- o Approved for ceiling or wall mounting
- o ADA

CONSTRUCTION

- o formed steel trim
- o steel back plate

BALLAST

- o electronic HPF, instant start

Sample Catalog Number

Series #	Finish	Catalog number
2-6109	24	2-6109-24

oxygen

OXYGEN LIGHTING SUITE 900
580 BROADWAY, NEW YORK, NY 10012
TEL. (877) 607-0202 FAX (877) 607-0203

PROJECT: _____

DATE: _____