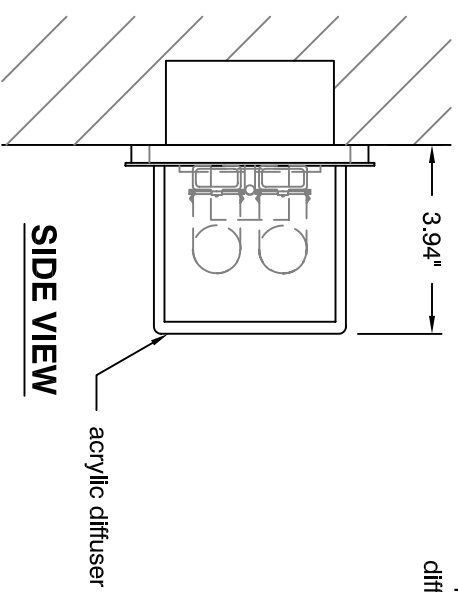
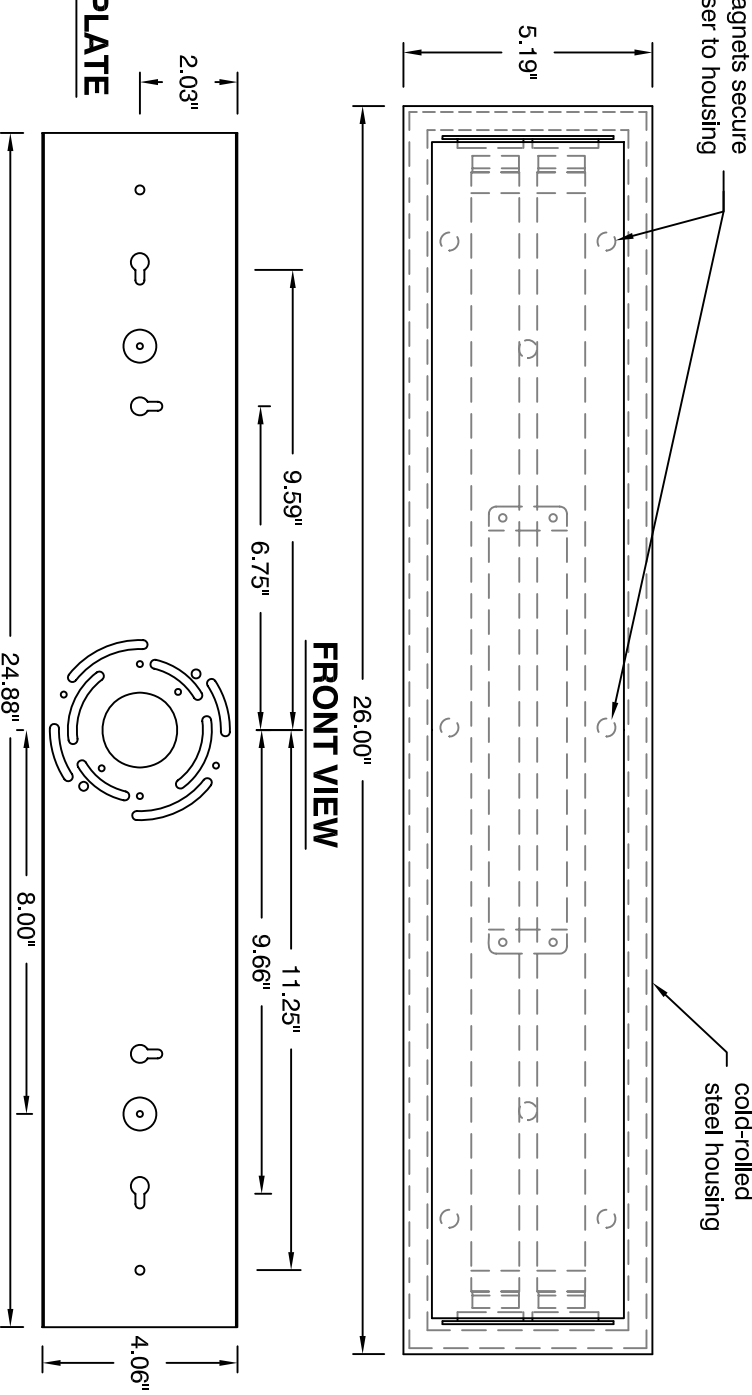


**TOP VIEW**

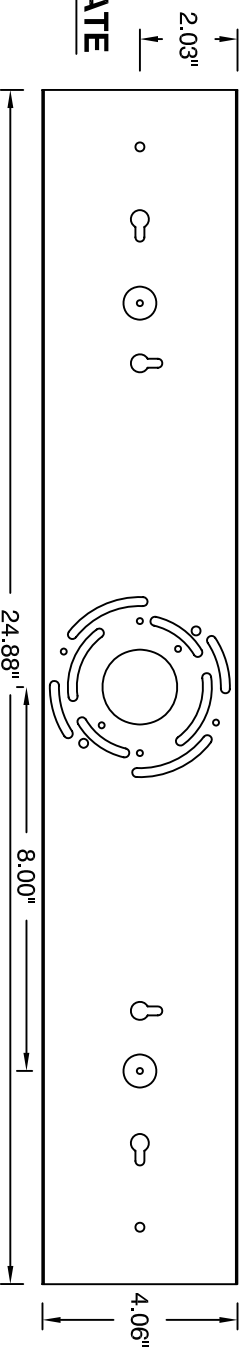


**SIDE VIEW**



**FRONT VIEW**

**MOUNTING PLATE**



OXYGEN LIGHTING ©

**LAMPING**

- 2 x 17W T8 fluorescent (med. bi-pin)
- 1/8" matte white acrylic

**DIFFUSERS**

- 24 - satin nickel
- cold-rolled steel housing

**METAL FINISH**

- 120/277V

**VOLTAGE**

- 26" (w)
- 5.19" (h)
- 3.94" extension

**DIMENSIONS**

- 4" octagonal "J"-Box
- UL Damp Listed
- ADA

**INSTALLATION**

- 4" octagonal "J"-Box
- UL Damp Listed
- ADA

**THE FUSE** vanity oxygen **2-5134-24**

**BALLAST**

- electronic, HPF rapid start universal voltage

**Oxygen**

OXYGEN LIGHTING SUITE 900  
580 BROADWAY, NEW YORK, NY 10012  
TEL. (877) 607-0202 FAX (877) 607-0203

PROJECT: \_\_\_\_\_  
DATE: \_\_\_\_\_