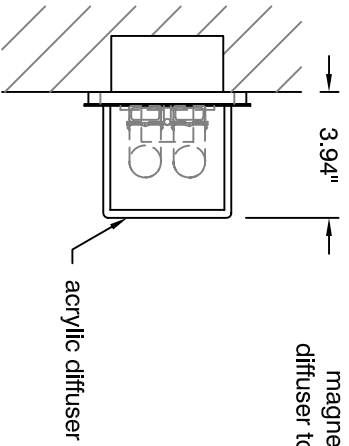
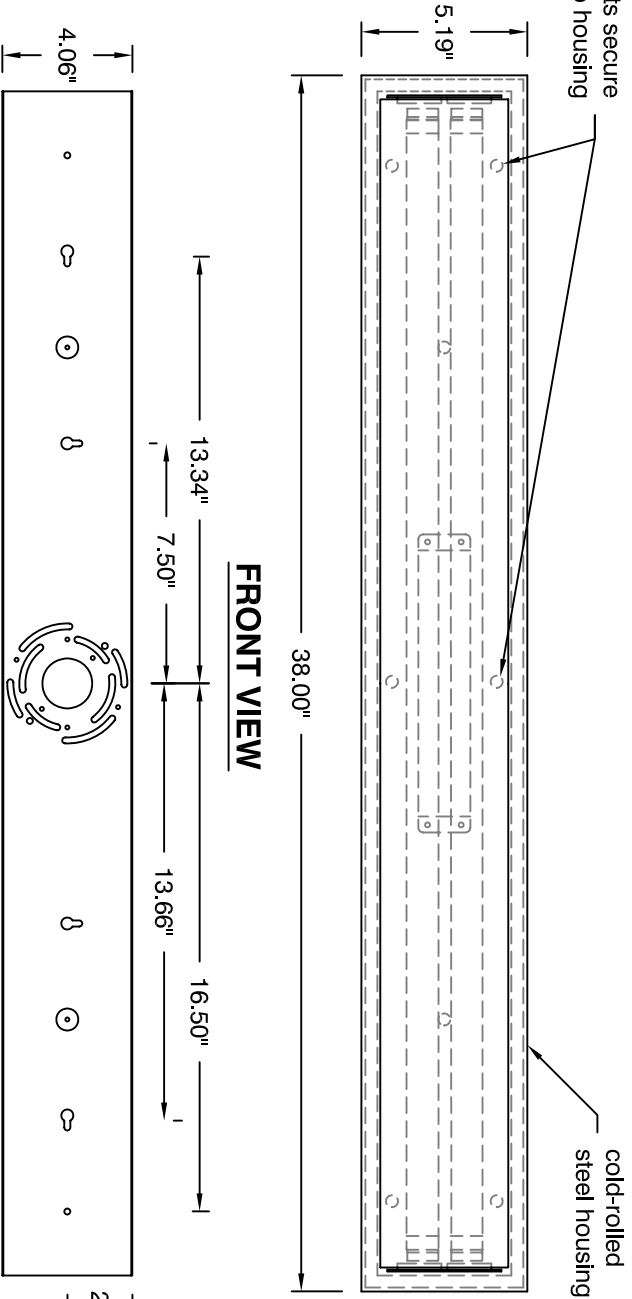


TOP VIEW



SIDE VIEW



FRONT VIEW

OXYGEN LIGHTING ©

LAMPING

o 2 x 25W T8 fluorescent (med. bi-pin)

DIFFUSERS

o 1/8" matte white acrylic

METAL FINISH

o 24 - satin nickel

VOLTAGE

o 120/277V

DIMENSIONS

o 38" (w)
o 5.19" (h)
o 3.94" ext.

INSTALLATION

o 4" octagonal "J"-Box
o UL Damp Listed
o ADA

BALLAST

o electronic, HPF rapid start universal voltage

THE FUSE vanity
oxygen **2-5135-24**

oxygen

OXYGEN LIGHTING SUITE 900
580 BROADWAY, NEW YORK, NY 10012
TEL. (877) 607-0202 FAX (877) 607-0203

PROJECT: _____

DATE: _____