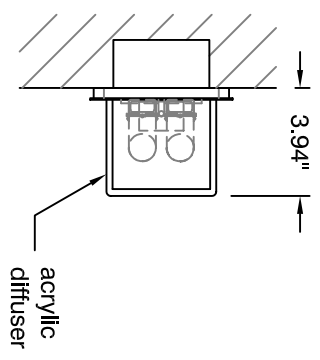
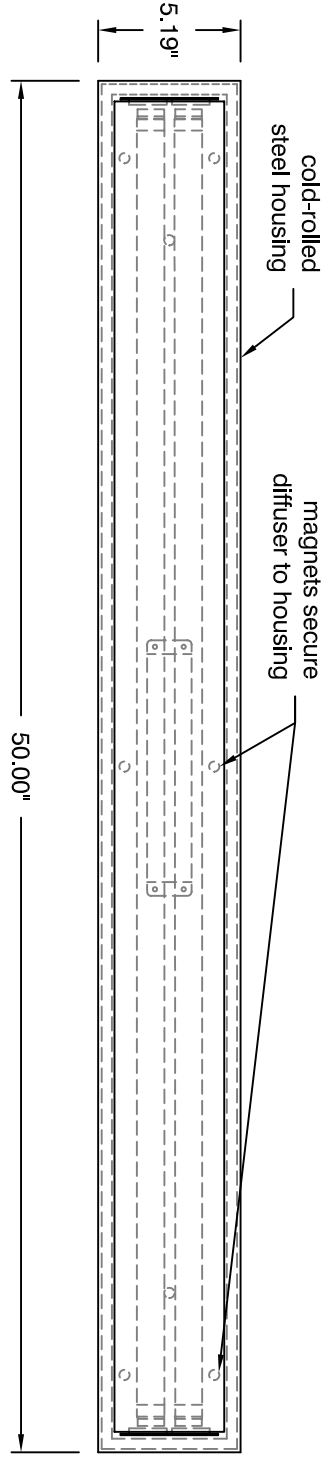


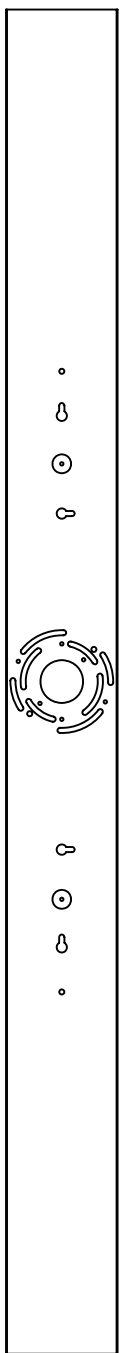
TOP VIEW



SIDE VIEW



FRONT VIEW



OXYGEN LIGHTING ©

MOUNTING PLATE

LAMPING

- 2 x 32W T8 fluorescent (med. bi-pin)

DIFFUSERS

- 1/8" matte white acrylic

METAL FINISH

- 24 - satin nickel

CONSTRUCTION

- machined steel end caps
- cold-rolled steel housing

VOLTAGE

- 120/277V

DIMENSIONS

- 50" (w)
- 5.19" (h)
- 3.94" ext.

INSTALLATION

- 4" octagonal "J"-Box approved for damp locations
- ADA

THE FUSE vanity
oxygen **2-5136-24**

oxygen

OXYGEN LIGHTING SUITE 900
580 BROADWAY, NEW YORK, NY 10012
TEL. (877) 607-0202 FAX (877) 607-0203

PROJECT: _____

DATE: _____