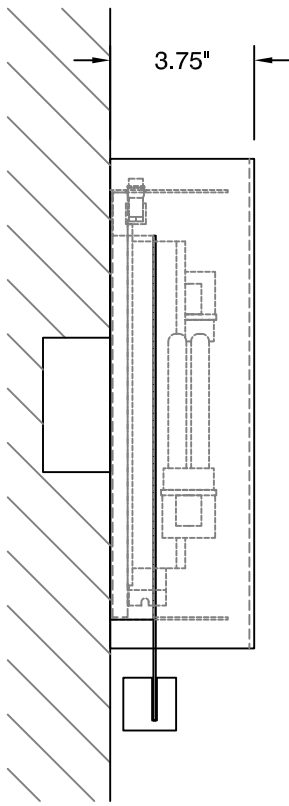
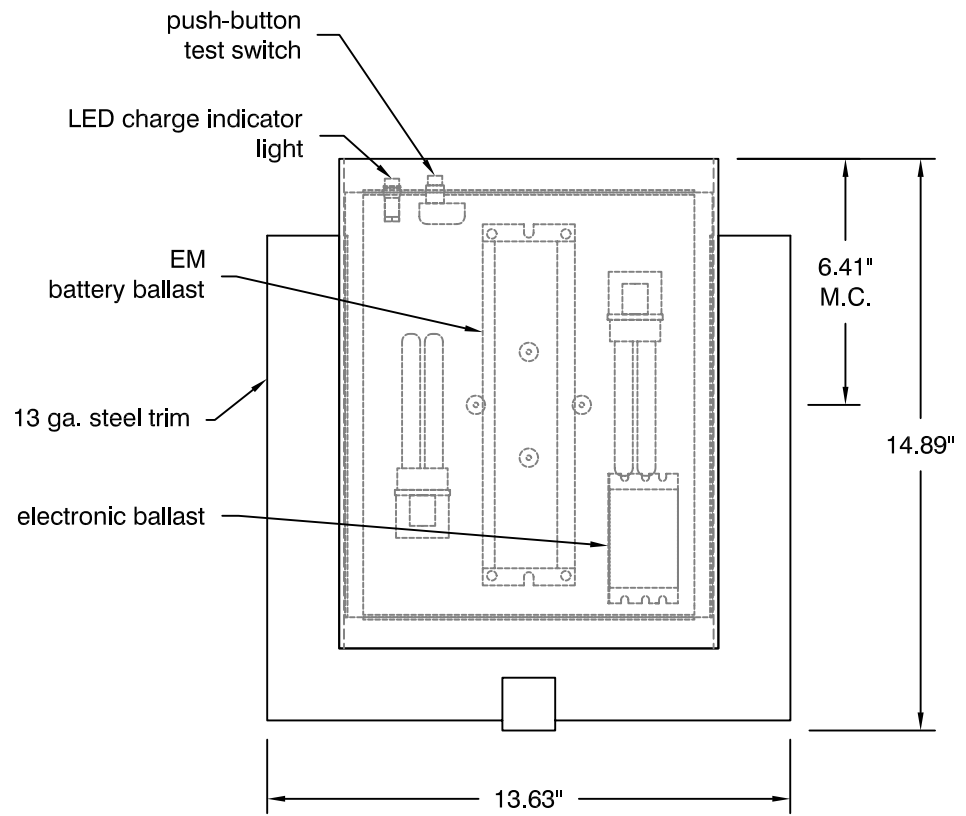


TOP VIEW



SIDE VIEW



FRONT VIEW

PATHWAYS sconce

oxygen **2-5118-xxx-EM**

OXYGEN LIGHTING ©

DIFFUSERS

- o 2 - matte white acrylic
- o 3 - tobacco acrylic
- o 4 - faux onyx acrylic
- o 6 - silver cloth acrylic
- o 7 - wave acrylic
- o 8 - leaf acrylic

METAL FINISHES

- o 24 - satin nickel
- o 14 - polished chrome
- o 95 - old world

BALLAST

- o electronic, HPF instant start

LAMPING

- o 2x13W quad tube compact fluorescent (G24q-1) (recommend using lamps with End Of Life protection)

DIMENSIONS

- o 13.63" (w) x 14.89" (h) x 3.75" ext. from wall

INSTALLATION

- o 4" octagonal "J"- Box
- o UL Damp Listed
- o ADA

Sample Catalog Number

EM BALLAST

- o EM - integral Bodine B94

VOLTAGE

- o 120V

<u>Series #</u>	<u>Diffuser</u>	<u>Finish</u>	<u>EM ballast</u>	<u>Catalog number</u>
2-5118	- 1	24	- EM	= 2-5118-124-EM

oxygen

OXYGEN LIGHTING SUITE 900
580 BROADWAY, NEW YORK, NY 10012
TEL. (877) 607-0202 FAX (877) 607-0203

PROJECT: _____

DATE: _____